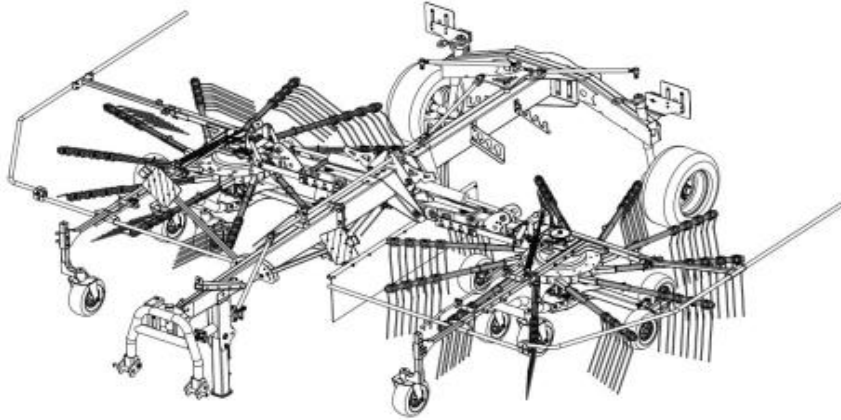




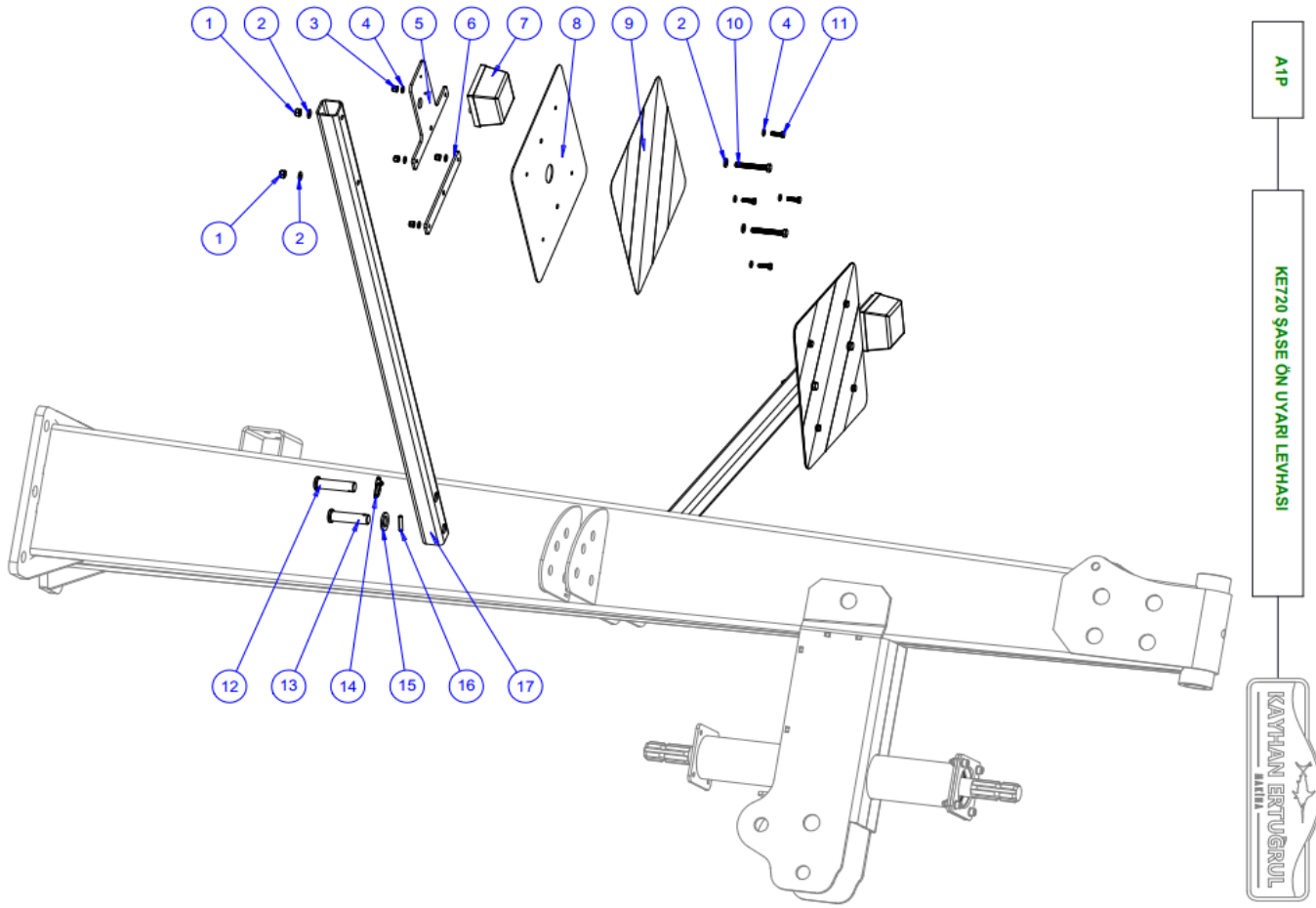
# TWIN ROTOR RAKE

## Spare Parts Catalog



2022

CONTENTS		CONTENTS	
Order	Group No	Group Name	Item's Name
1	A1P	KE720 CHASSIS FRONT WARNING PLATE	
2	A2P	KE720 CHASSIS FRONT PART	
3	A3P	KE720 CHASSIS FRONT SUPPORT LEG	
4	A4P	KE720 REAR FRAME WING UNIT	
5	A5P	KE720 REAR FRAME UNIT	
6	B1P	KE720 AXLE UNIT PLATE ASSEMBLY	
7	B2P	KE720 AXLE UNIT RIGHT WHEEL GROUP	
8	B3P	KE720 AXLE UNIT LEFT WHEEL GROUP	
9	C1P	KE720 TRACTOR CONNECTION UNIT	
10	D1P	KE720 WING UNIT FRONT PLAY CASTING GROUP	
11	D2P	KE720 VANE UNIT PISTON LINK GROUP	
12	D3P	KE720 BLADE UNIT SHAFT LINK GROUP	
13	E1P	KE720 RIGHT RAKE GROUP	
14	E2P	KE720 LEFT RAKE GROUP	
15	F1P	KE720 RIGHT ROTOR UPPER SECTION	
16	F2P	KE720 RIGHT ROTOR MIDDLE PART	
17	F3P	KE720 RIGHT ROTOR LOWER PART	
18	F4P	KE520 SPLINE COUPLED TRANSMISSION GROUP	
19	G1P	KE720 ROTOR AXLE SIDE WHEEL GROUP	
20	G2P	KE720 ROTOR AXLE FRONT WHEEL GROUP	
21	H1P	KE720 MAIN TRANSMISSION GROUP	
22	J1P	KE720 STEERING GROUP FRONT	
23	J2P	KE720 STEERING GROUP MIDDLE AND REAR	
24	K1P	KE720 RIGHT SIDE GUARDRAIL MAIN FRAME GROUP	
25	K2P	KE720 ROTOR HEIGHT ADJUSTING SHAFT GROUP	
26	K3P	KE720 OPTION SUPPORT WHEEL GROUP	
27	K4P	KE720 LEFT SIDE GUARDRAIL MAIN CHASSIS GROUP	
28	L1P	KE720 INTERMEDIATE CURTAIN GROUP	
29	M1P	KE720 HYDRAULIC EQUIPMENT	
30	N1P	KE720 ELECTRICAL CONNECTIONS	



A1	KE720 CHASSIS FRONT WARNING PLATE
----	-----------------------------------

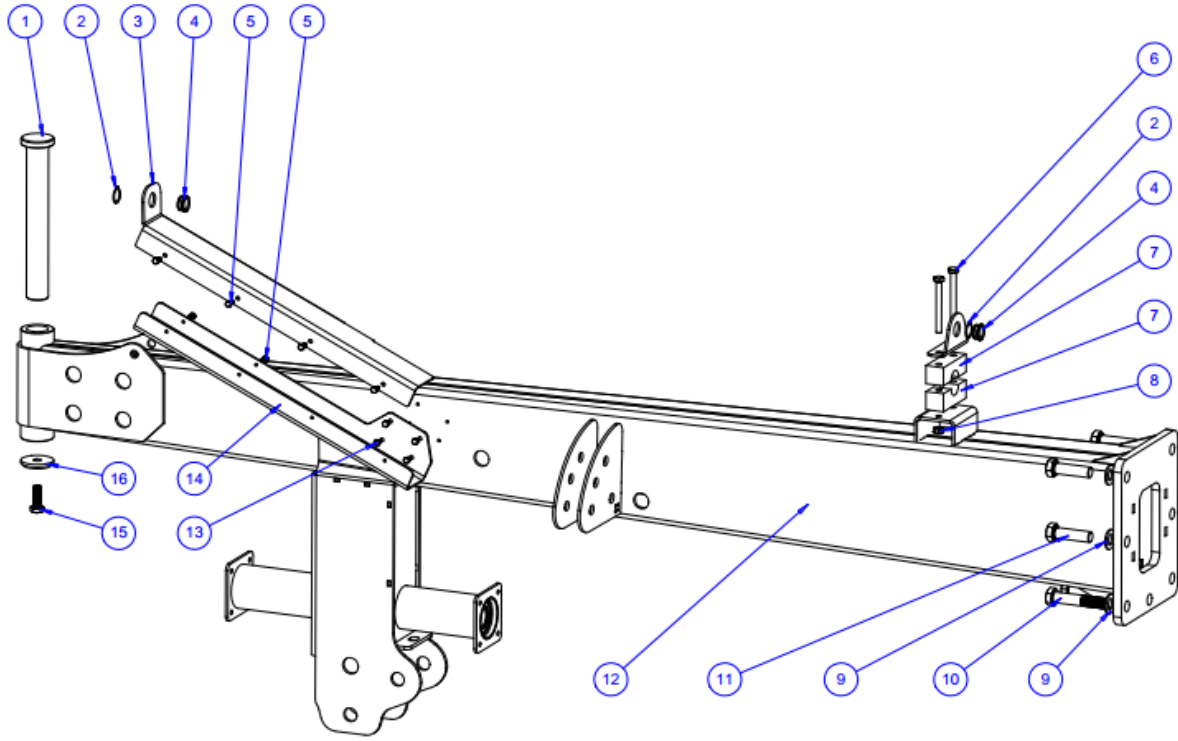
Part No	Stock No (Stok No)	Item's name	Item's name	Adet Quantity
1	71100208000005	DIN_985 M8 Fibre Nut	DIN_985 M8 Fiberli Somun	4
2	71100501000005	DIN_125 M8 Flat Washer	DIN_125 M8 Düz Rondela	8
3	71100208000004	DIN_985 M6 Fibre Nut	DIN_985 M6 Fiberli Somun	8
4	71100501000004	DIN_125 M6 Flat Washer	DIN_125 M6 Düz Rondela	16
5	71012072000014	Steel	Sac	2
6	71012072000013	Steel	Sac	2
7	711101000048	Warning Beacon	Uyarı Lambası	2
8	71012072000001	Steel	Sac	2
9	711101000049	Warning Band	Uyarı Bandı	2
10	71100101008060	DIN_933 M8X60 Full Pass Bolt	DIN_933 M8X60 Tam Paso Cıvata	4
11	71100101006020	DIN_933 M6X20 Full Pass Bolt	DIN_933 M6X20 Tam Paso Cıvata	8
12	71030102147201	Warning Plate Upper Adjusting Shaft	Uyarı Levhası Üst Ayar Mili	2
13	71030102147202	Warning Plate Lower Bearing Shaft	Uyarı Levhası Alt Yataklama Mili	2
14	71200300000021	Ø6MM Spring Pin	Ø6MM Yaylı Pim	2
15	71100501000010	DIN_125 M18 Flat Washer	DIN_125 M18 Düz Rondela	2
16	71100901000098	DIN 1481 6X30 Spring Pin	DIN 1481 6X30 Yarıklı Pim	2
17	71050109017201	Warning Board Profile	Uyarı Levhası Profili	2

VAT Excluded

Kayhan Ertugrul Makina reserves the right to change prices of the product at any time without prior notice.

Delivery Term: EXW Burdur

Our company assumes no liability for any damages that may occur during transport.



A2P

KET20 SASE ON KISIM



A2	KE720 CHASSIS FRONT PART
----	--------------------------

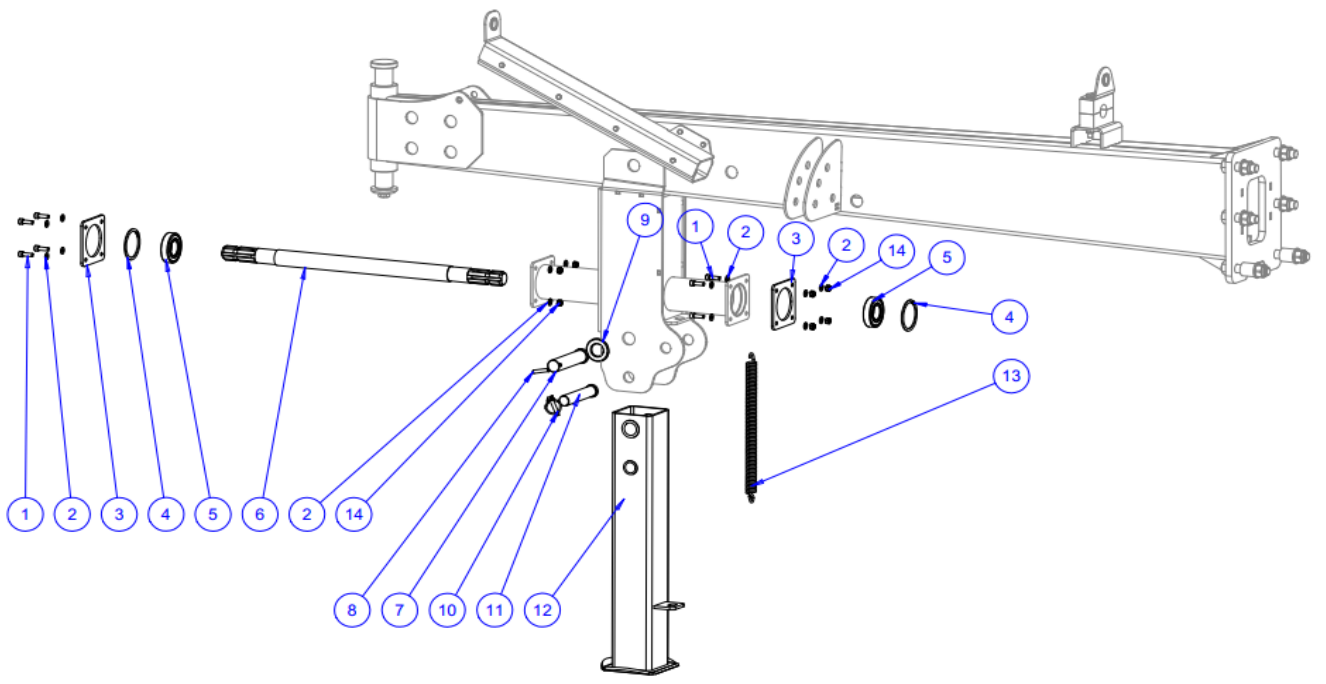
Part No	Stock No (Stok No)	Item's name	Item's name	Adet Quantity
1	71030101187201	Hanger Bearing Shaft	Askı Yataklama Mili	1
2	71100801000021	DIN_471 25x1.2 External Circlip	DIN_471 25x1,2 Dış Segman	2
3	71012072000016	Steel	Sac	1
4	71260401000264	Rope Holder	İp Tutucu	2
5	71100101006016	DIN_933 M6X16 Full Pass Bolt	DIN_933 M6X16 Tam Paso Civata	6
6	71100101010100	DIN_933 M10X100 Full Pass Bolt	DIN_933 M10X100 Tam Paso Civata	2
7	71260902357201	Rear Wheel Converter Castermid Bearing	Arka Teker Çevirici Kestamit Yatağı	2
8	71100208000006	DIN_985 M10 Fibre Nut	DIN_985 M10 Fiberli Somun	2
9	71100501000011	DIN_125 M20 Flat Washer	DIN_125 M20 Düz Rondela	7
10	71100117020100	DIN_931 M20X100 Half Pass Bolt	DIN_931 M20X100 Yarım Paso Civata	3
11	71100101020070	DIN_933 M20X70 Full Pass Bolt	DIN_933 M20X70 Tam Paso Civata	4
12	711101000001	KE720 Chassis Front Welded Assembly	KE720 Şase Ön Kısım Kaynaklı Aksam	1
13	71100101006010	DIN_933 M6X10 Full Pass Bolt	DIN_933 M6X10 Tam Paso Civata	4
14	71012072000015	Steel	Sac	1
15	71100101014040	DIN_933 M14X40 Full Pass Bolt	DIN_933 M14X40 Tam Paso Civata	1
16	71030101187202	Hanger Bearing Shaft Bottom Tightening Washer	Askı Yataklama Mili Alt Sıkma Pulu	1

VAT Excluded

Kayhan Ertugrul Makina reserves the right to change prices of the product at any time without prior notice.

Delivery Term: EXW Burdur

Our company assumes no liability for any damages that may occur during transport.



A3P

KET20 ŞASE ÖN KISIM DESTEK AYIĞI



A3	<b>KE720 CHASSIS FRONT SUPPORT LEG</b>
----	--

Part No	Stock No (Stok No)	Item's name	Item's name	Adet Quantity
1	71100106008025	DIN_912 M8X25 Imperial Head Bolt	DIN_912 M8X25 İmbus Başlı Cıvata	8
2	71100501000005	DIN_125 M8 Flat Washer	DIN_125 M8 Düz Rondela	16
3	71012072000029	Steel	Sac	1
4	71100802000046	DIN_472 72x2,5 Internal Circlip	DIN_472 72x2,5 İç Segman	2
5	71110605000030	6207 2RS Bearing	6207 2RS Rulman	2
6	71030101127204	Front End Milling Spindle	Ön Şaft Frezeli Mil	1
7	71030101107203	Front Foot Bearing Shaft	Ön Ayak Yataklama Mili	1
8	71100901000120	DIN 1481 8X40 Spring Pin	DIN 1481 8X40 Yarıklı Pim	1
9	71100501000015	DIN_125 M30 Flat Washer	DIN_125 M30 Düz Rondela	1
10	71200300000026	Pin	Pim	1
11	71030101087201	Front Foot Adjusting Shaft	Ön Ayak Ayar Mili	1
12	711101000002	KE720 Chassis Support Foot Welded Assembly	KE720 Şase Destek Ayağı Kaynaklı Aksamı	1
13	71200600000013	Expand	Yay	1
14	71100208000005	DIN_985 M8 Fibre Nut	DIN_985 M8 Fiberli Somun	8

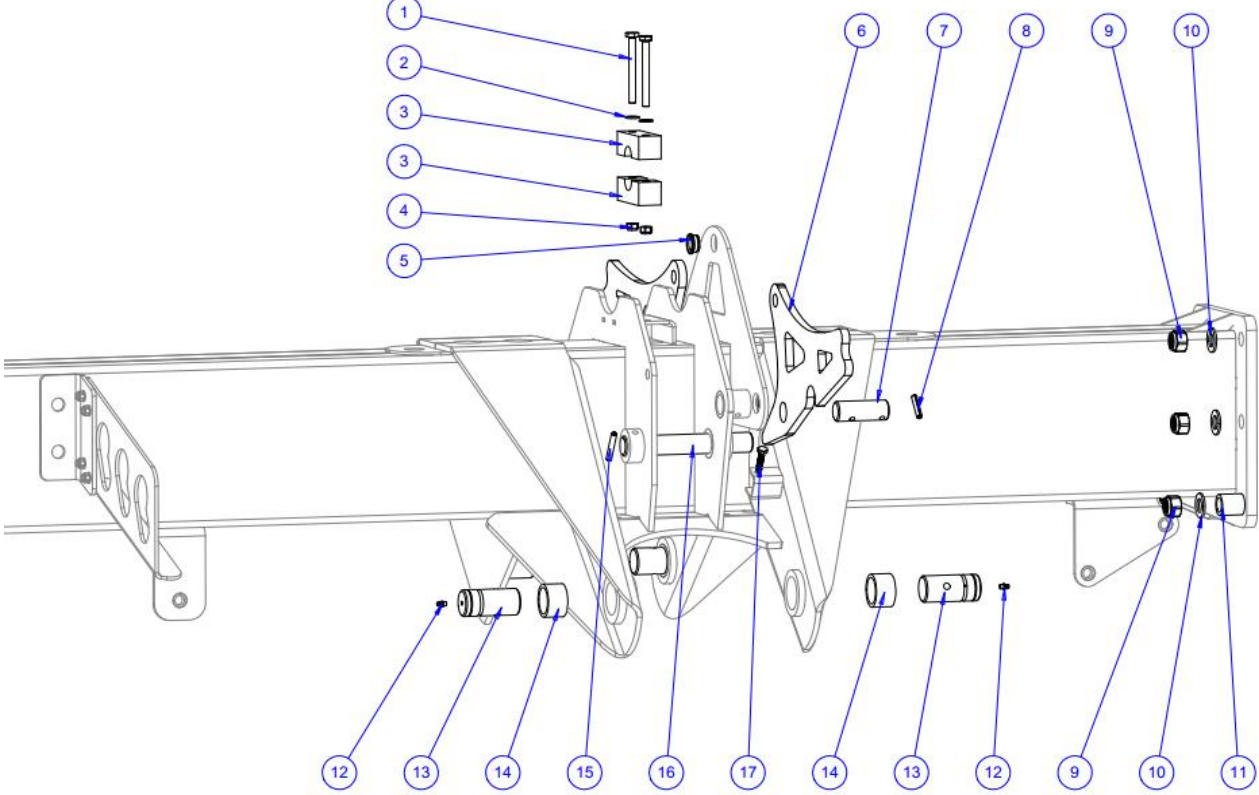
VAT Excluded

Kayhan Ertugrul Makina reserves the right to change prices of the product at any time without prior notice.

Delivery Term: EXW Burdur

Our company assumes no liability for any damages that may occur during transport.





ASP

KE720 ARKA ŞASE KANAT UNITESİ



A4	KE720 REAR FRAME WING UNIT
----	----------------------------

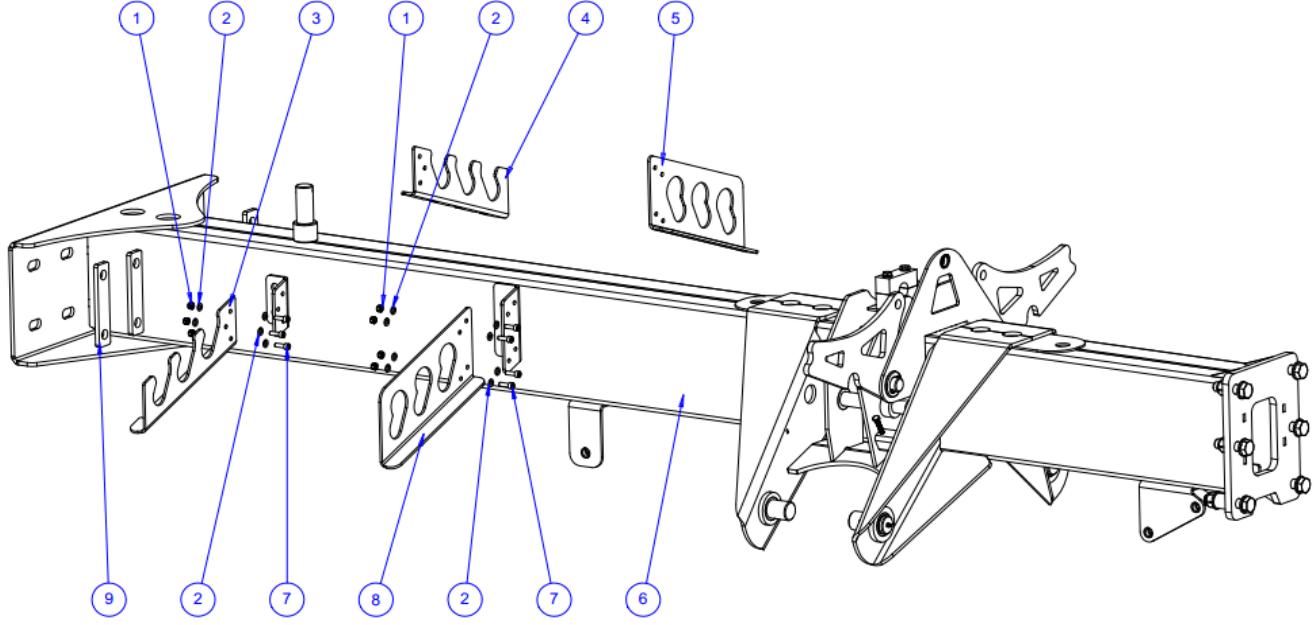
Part No	Stock No (Stok No)	Item's name	Item's name	Adet Quantity
1	71100101010100	DIN_933 M10X100 Full Pass Bolt	DIN_933 M10X100 Tam Paso Civata	2
2	71100501000006	DIN_125 M10 Flat Washer	DIN_125 M10 Düz Rondela	2
3	71260902357201	Rear Wheel Converter Castermid Bearing	Arka Teker Çevirici Kestamit Yatağı	2
4	71100208000006	DIN_985 M10 Fibre Nut	DIN_985 M10 Fiberli Somun	2
5	71260401000264	Rope Holder	İp Tutucu	1
6	71012072000151	Steel	Sac	2
7	71030110047203	Wing Locking Sheet Bearing Shaft	Kanat Kilitleme Sacı Yataklama Mili	2
8	71100901000120	DIN 1481 8X40 Spring Pin	DIN 1481 8X40 Yarıklı Pim	2
9	71100208000011	DIN_985 M20 Fibre Nut	DIN_985 M20 Fiberli Somun	7
10	71100501000011	DIN_125 M20 Flat Washer	DIN_125 M20 Düz Rondela	7
11	71040101087205	Chassis Crimping Support Pipe	Şase Sıkma Destek Borusu	3
12	71101101000001	DIN_71412_H1W1.4_28 Grease fitting	DIN_71412_H1W1.4_28 Gresörlük	4
13	71030110067202	Blade Bearing Shaft	Kanat Yataklama Mili	4
14	71060101000061	Yellow Bushing	Sarı Burc	4
15	71100901000121	DIN 1481 8X50 Spring Pin	DIN 1481 8X50 Yarıklı Pim	2
16	71030110047202	Wing Piston Bearing Shaft	Kanat Pistonu Yataklama Mili	2
17	71100101008060	DIN_933 M8X60 Full Pass Bolt	DIN_933 M8X60 Tam Paso Civata	2

VAT Excluded

Kayhan Ertugrul Makina reserves the right to change prices of the product at any time without prior notice.

Delivery Term: EXW Burdur

Our company assumes no liability for any damages that may occur during transport.



ASP

KETZO ARKA ŞASE ÜNİTESİ



A5	KE720 ARKA ŞASE ÜNİTESİ
----	-------------------------

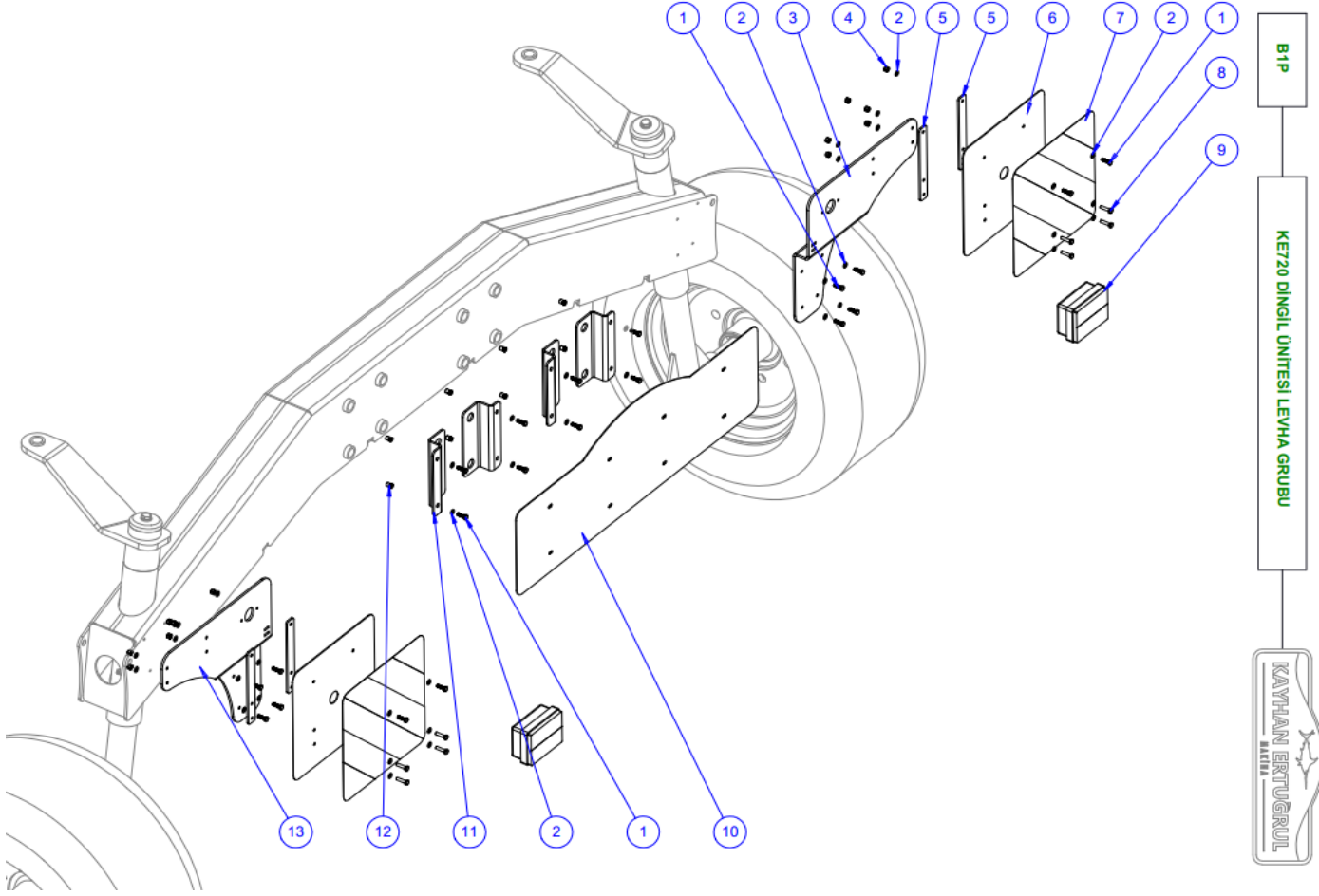
Part No	Stock No (Stok No)	Item's name	Item's name	Adet Quantity
1	71100208000005	DIN_985 M8 Fibre Nut	DIN_985 M8 Fiberli Somun	14
2	71100501000005	DIN_125 M8 Flat Washer	DIN_125 M8 Düz Rondela	28
3	71012072000033	Steel	Sac	1
4	71012072000032	Steel	Sac	1
5	71012072000031	Steel	Sac	1
6	711101000003	KE720 Rear Chassis Welded Assembly	KE720 Arka Şase Kaynaklı Aksam	1
7	71100106008025	DIN_912 M8x25 Imperial Head Bolt	DIN_912 M8x25 İmbus Başlı Cıvata	14
8	71012072000030	Steel	Sac	1
9	71012072000111	Steel	Sac	4

VAT Excluded

Kayhan Ertugrul Makina reserves the right to change prices of the product at any time without prior notice.

Delivery Term: EXW Burdur

Our company assumes no liability for any damages that may occur during transport.



<b>B1</b>	<b>KE720 AXLE UNIT PLATE ASSEMBLY</b>
-----------	---------------------------------------

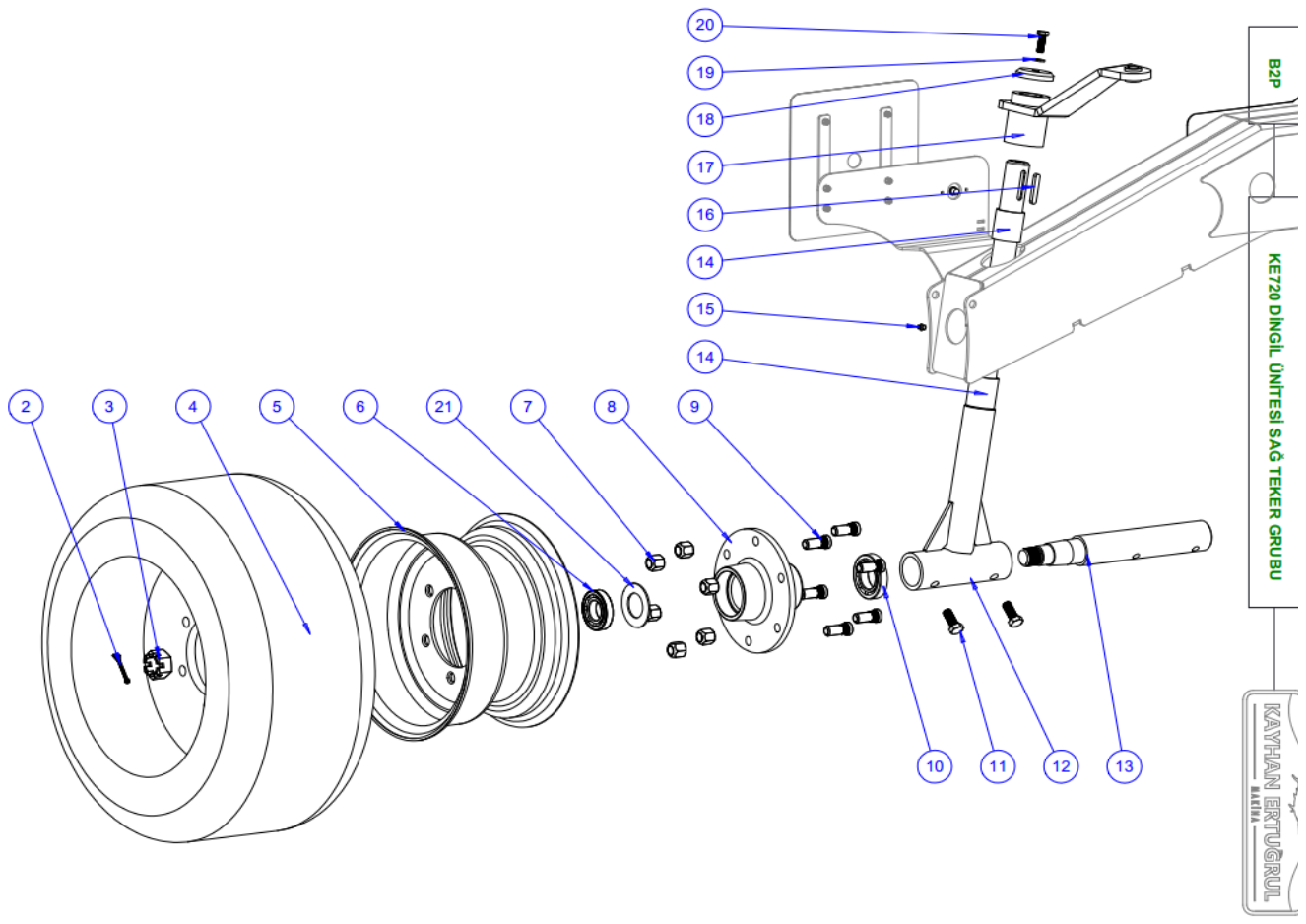
<b>Part No</b>	<b>Stock No (Stok No)</b>	<b>Item's name</b>	<b>Item's name</b>	<b>Adet Quantity</b>
1	71100101006020	DIN_933 M6X20 Full Pass Bolt	DIN_933 M6X20 Tam Paso Civata	20
2	71100501000004	DIN_125 M6 Flat Washer	DIN_125 M6 Düz Rondela	40
3	71012072000036	Steel	Sac	1
4	71100208000004	DIN_985 M6 Fibre Nut	DIN_985 M6 Fiberli Somun	12
5	71012072000024	Steel	Sac	4
6	71012072000002	Steel	Sac	2
7	711101000049	Warning Band	Uyarı Bandı	2
8	71100101006025	DIN_933 M6X25 Full Pass Bolt	DIN_933 M6X25 Tam Paso Civata	8
9	711101000048	Axle Tail Lamp	Dingil Arka Lamba	2
10	71012072000003	Steel	Sac	1
11	71012072000025	Steel	Sac	4
12	71100301000009	M6 Nut Rivet	M6 Somun Perçin	8
13	71012072000035	Steel	Sac	1

VAT Excluded

Kayhan Ertugrul Makina reserves the right to change prices of the product at any time without prior notice.

Delivery Term: EXW Burdur

Our company assumes no liability for any damages that may occur during transport.



B2	KE720 AXLE UNIT RIGHT WHEEL GROUP
----	-----------------------------------

Part No	Stock No (Stok No)	Item's name	Item's name	Adet Quantity
1	71140202000001	Wheel Hub Cover	Teker Porya Kapađı	2
2	71100903000053	Cotter pin 45x5	Kopilya 45x5	2
3	71100201000018	M36 Slotted Nut	M36 Yarıklı Somun	2
4	71140102000011	10.0 / 75 - 15.3 Wheels	10.0 / 75 - 15.3 Teker	2
5	71140201000015	9.00 x 15.3 Wheel	9.00 x 15.3 Jant	2
6	71110201000006	30208 J Bearing	30208 J Rulman	2
7	711101000050	Wheel Hub Nut	Porya Somunu	12
8	711101000051	Wheel Hub Sleeve	Porya Kovanı	2
9	711101000052	Wheel Hub Bolt	Porya Civatası	12
10	71110201000008	30210 J Bearing	30210 J Rulman	2
11	71100101016040	DIN_933 M16X40 Full Pass Bolt	DIN_933 M16X40 Tam Paso Civata	4
12	711101000004	Welded Wheel Shaft Assembly	Kaynaklı Teker Mili Aksamı	2
13	71030101187204	Wheel Hub Shaft For 800 Wheels	Porya Mili 800 lük Teker İin	2
14	71060401000028	Yellow Bushing	Sarı Burc	4
15	71101101000007	DIN_71412_H1W3.8_24 Grease fitting	DIN_71412_H1W3.8_24 Gresörlük	2
16	71100601000011	DIN 6885_A 10x8x60MM Wedge	DIN 6885_A 10x8x60MM Kama	2
17	711101000005	Right Wheel Router Welded Assembly	Sađ Teker Yönlendirici Kaynaklı Aksam	1
18	71030101237202	Tightening Closing Shaft	Sıkma Kapatma Mili	2
19	71100501000007	DIN_125 M12 Flat Washer	DIN_125 M12 Düz Rondela	2
20	71100101012035	DIN_933 M12X35 Full Pass Bolt	DIN_933 M12X35 Tam Paso Civata	2
21	71012072000192	Steel	Sac	2

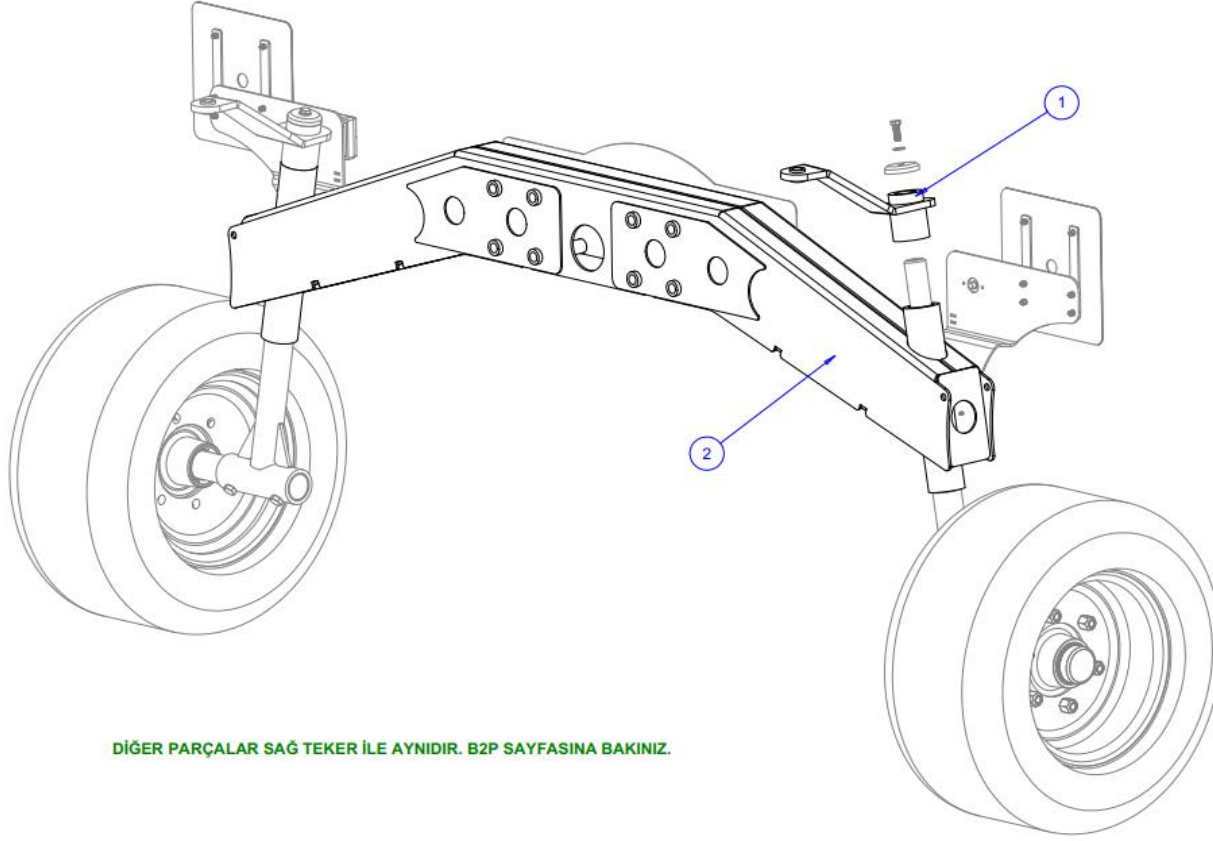
VAT Excluded

Kayhan Ertugrul Makina reserves the right to change prices of the product at any time without prior notice.

Delivery Term: EXW Burdur

Our company assumes no liability for any damages that may occur during transport.





**DİĞER PARÇALAR SAĞ TEKER İLE AYNIYDUR. B2P SAYFASINA BAKINIZ.**

**B3P**

**KET70 DİNGİL, ÜNİTESİ SOL TEKER GRUBU**



<b>B3</b>	<b>KE720 AXLE UNIT LEFT WHEEL GROUP</b>
-----------	---

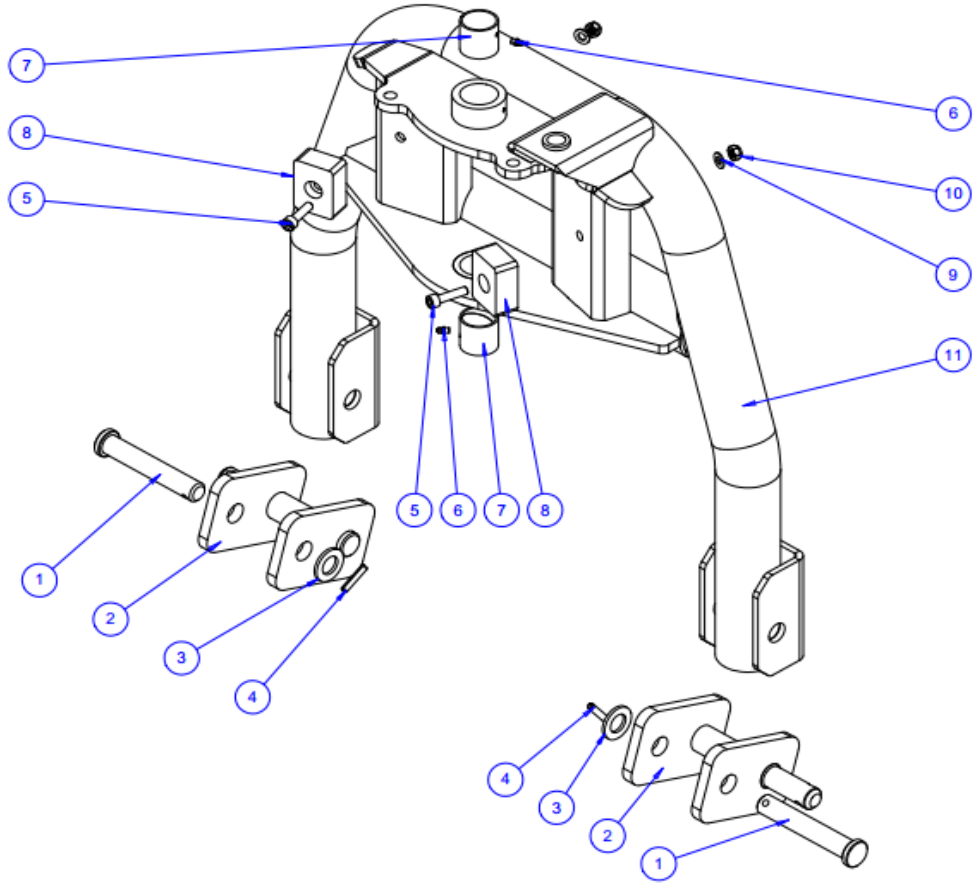
<b>Part No</b>	<b>Stock No (Stok No)</b>	<b>Item's name</b>	<b>Item's name</b>	<b>Adet Quantity</b>
1	711101000006	Left Wheel Router Welded Assembly	Sol Teker Yönlendirici Kaynaklı Aksam	1
2	711101000007	KE720 Axle Welded Assembly	KE720 Dingil Kaynaklı Aksamı	1

VAT Excluded

Kayhan Ertugrul Makina reserves the right to change prices of the product at any time without prior notice.

Delivery Term: EXW Burdur

Our company assumes no liability for any damages that may occur during transport.



CIP

KE720 TRAKTOR BAĞLANTI UNİTESİ



C1	<b>KE720 TRACTOR CONNECTION UNIT</b>
----	--------------------------------------

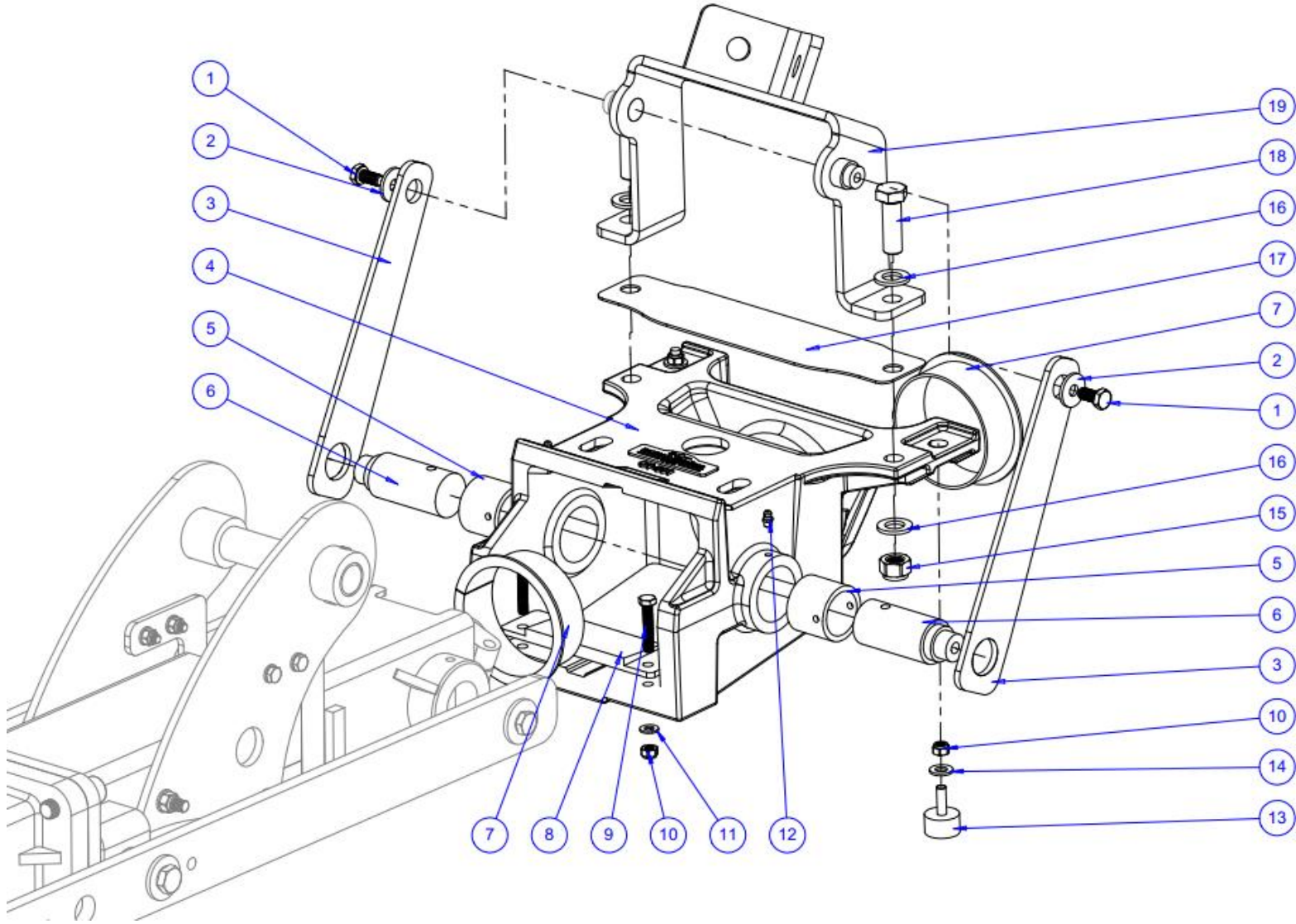
Part No	Stock No (Stok No)	Item's name	Item's name	Adet Quantity
1	71030101107204	Three Point Suspension System Lower Connecting Shaft	Üç Nokta Askı Sistemi Alt Bağlantı Mili	2
2	711101000009	Three Point Hanger System Bottom Welded Part	Üç Nokta Askı Sistemi Alt Kaynaklı Parça	2
3	71100501000013	DIN_125 M24 Flat Washer	DIN_125 M24 Düz Rondela	2
4	71100901000120	DIN 1481 8X40 Spring Pin	DIN 1481 8X40 Yarıklı Pim	2
5	71100106010040	DIN_912 M10X40 Imperial Head Bolt	DIN_912 M10X40 İmbus Başlı Civata	2
6	71101101000001	DIN_71412_H1W1.4_28 Grease fitting	DIN_71412_H1W1.4_28 Gresörlük	2
7	71060401000087	Yellow Bushing	Sarı Burc	2
8	71260401000702	Square Plastic Skid	Dörtköşe Plastik Takoz	2
9	71100501000006	DIN_125 M10 Flat Washer	DIN_125 M10 Düz Rondela	2
10	71100208000006	DIN_985 M10 Fibre Nut	DIN_985 M10 Fiberli Somun	2
11	711101000008	Welded Tractor Connection Assembly	Kaynaklı Traktör Bağlantı Aksamı	2

VAT Excluded

Kayhan Ertugrul Makina reserves the right to change prices of the product at any time without prior notice.

Delivery Term: EXW Burdur

Our company assumes no liability for any damages that may occur during transport.



D1P

KET20 KANAT ÜNİTESİ ÖN OYNAR DÖKÜM GRUBU

KAYHAN ERTUĞRUL

D1	KE720 WING UNIT FRONT PLAY CASTING GROUP
----	--

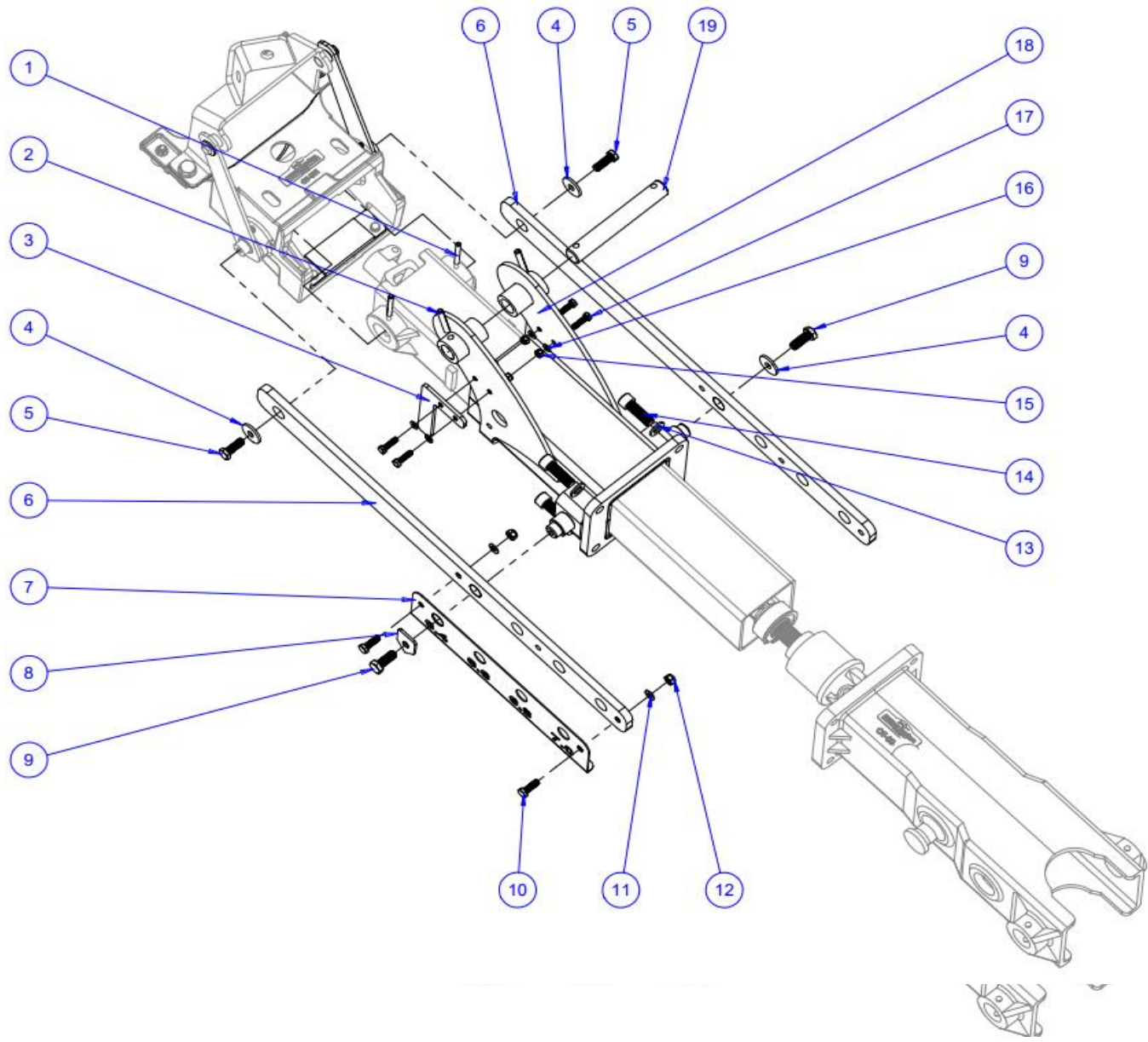
Part No	Stock No (Stok No)	Item's name	Item's name	Adet Quantity
1	71100101010020	DIN_933 M10X20 Full Pass Bolt	DIN_933 M10X20 Tam Paso Civata	4
2	71012072000185	Steel	Sac	4
3	71012072000068	Steel	Sac	4
4	71020200001012	Wing Playing Sphero Casting	Kanat Oynar Sfero Döküm	2
5	71060401000088	Yellow Bushing	Sarı Burc	4
6	71030110067201	Movable Sphero Casting Bearing Shaft	Oynar Sfero Döküm Yataklama Mili	4
7	71060101000033	Yellow Bushing	Sarı Burc	4
8	71012072000105	Steel	Sac	2
9	71100101008045	DIN_933 M8X45 Full Pass Bolt	DIN_933 M8X45 Tam Paso Civata	4
10	71100208000005	DIN_985 M8 Fibre Nut	DIN_985 M8 Fiberli Somun	8
11	71100501000005	DIN_125 M8 Flat Washer	DIN_125 M8 Düz Rondela	4
12	71101101000001	DIN_71412_H1W1.4_28 Grease fitting	DIN_71412_H1W1.4_28 Gresörlük	4
13	71260401000230	Round Plastic Skid	Yuvarlak Plastik Takoz	4
14	71100501000006	DIN_125 M10 Flat Washer	DIN_125 M10 Düz Rondela	4
15	71100208000009	DIN_985 M16 Fibre Nut	DIN_985 M16 Fiberli Somun	4
16	71100501000009	DIN_125 M16 Flat Washer	DIN_125 M16 Düz Rondela	8
17	71012072000088	Steel	Sac	2
18	71100101016050	DIN_933 M16X50 Full Pass Bolt	DIN_933 M16X50 Tam Paso Civata	4
19	711101000010	Spring Connection Welded Assembly	Yay Bağlantı Kaynaklı Aksamı	2

VAT Excluded

Kayhan Ertugrul Makina reserves the right to change prices of the product at any time without prior notice.

Delivery Term: EXW Burdur

Our company assumes no liability for any damages that may occur during transport.



D2P

KE720 KANAT UNİTESİ PİSTON BAĞLANTI GRUBU

KAYHAN ERTUGRUL  
MOTOR

RUL

D2	KE720 VANE UNIT PİSTON LINK GROUP
----	-----------------------------------

Part No	Stock No (Stok No)	Item's name	Item's name	Adet Quantity
1	71100901000123	DIN 1481 8X70 Spring Pin	DIN 1481 8X70 Yarıklı Pim	4
2	71100901000139	DIN 1481 10X50 Spring Pin	DIN 1481 10X50 Yarıklı Pim	4
3	71012072000066	Steel	Sac	4
4	71012072000021	Steel	Sac	6
5	71100101012035	DIN_933 M12X35 Full Pass Bolt	DIN_933 M12X35 Tam Paso Civata	4
6	71012072000186	Steel	Sac	4
7	71012072000188	Steel	Sac	1
8	71012072000187	Steel	Sac	2
9	71100101014035	DIN_933 M14X35 Full Pass Bolt	DIN_933 M14X35 Tam Paso Civata	4
10	71100101010030	DIN_933 M10X30 Full Pass Bolt	DIN_933 M10X30 Tam Paso Civata	4
11	71100501000006	DIN_125 M10 Flat Washer	DIN_125 M10 Düz Rondela	4
12	71100208000006	DIN_985 M10 Fibre Nut	DIN_985 M10 Fiberli Somun	4
13	71100501000009	DIN_125 M16 Flat Washer	DIN_125 M16 Düz Rondela	8
14	71100106016050	DIN_912 M16X50 Imperial Head Bolt	DIN_912 M16X50 İmbus Başlı Cıvata	8
15	71100208000005	DIN_985 M8 Fibre Nut	DIN_985 M8 Fiberli Somun	8
16	71100501000005	DIN_125 M8 Flat Washer	DIN_125 M8 Düz Rondela	16
17	71100101008030	DIN_933 M8X30 Full Pass Bolt	DIN_933 M8X30 Tam Paso Civata	8
18	711101000011	Welded Carrier Arm Assembly	Kaynaklı Taşıyıcı Kol Aksamı	2
19	71030110047204	Wing Piston Bearing Shaft	Kanat Pistonu Yataklama Mili	2

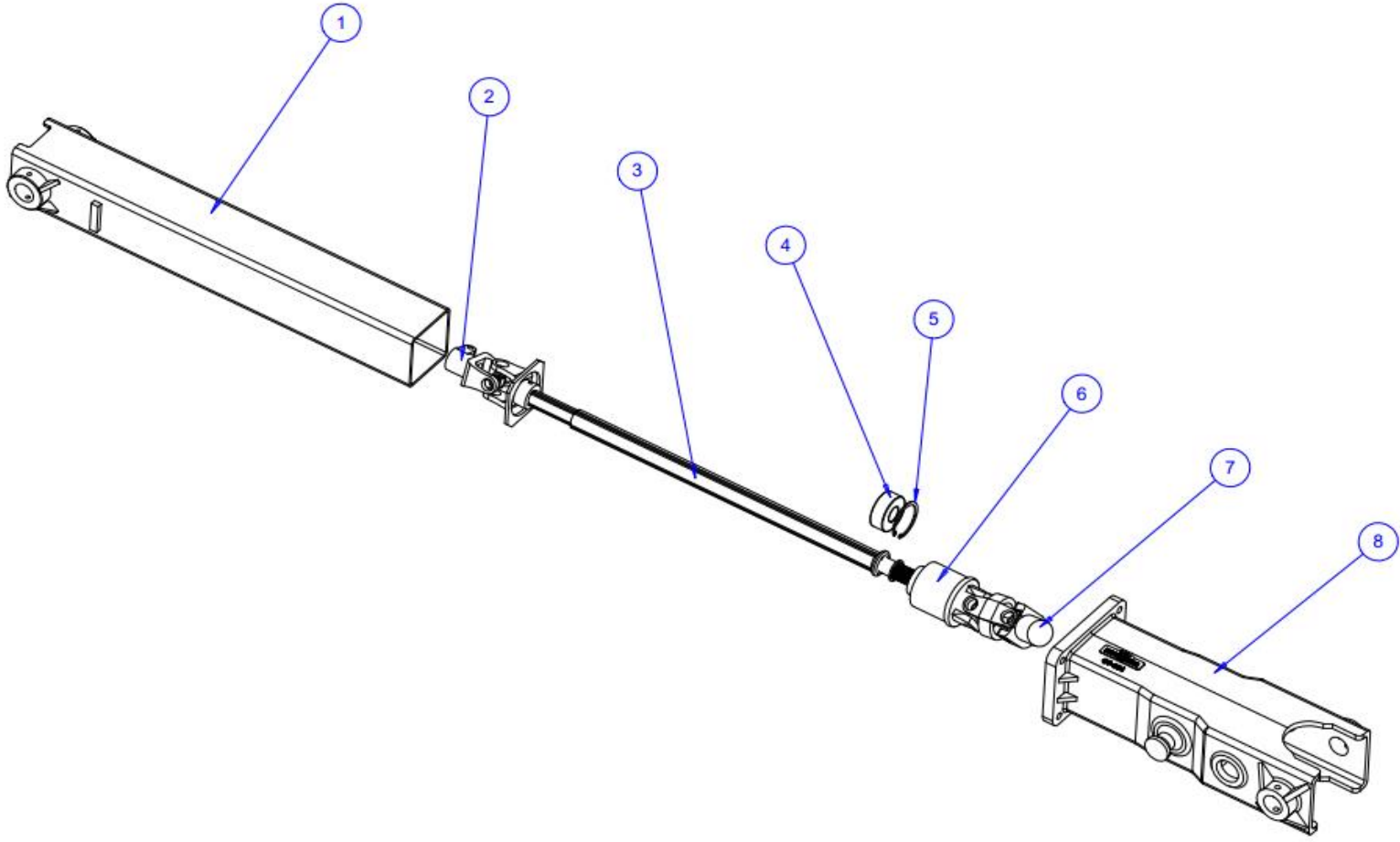
VAT Excluded

Kayhan Ertugrul Makina reserves the right to change prices of the product at any time without prior notice.

Delivery Term: EXW Burdur

Our company assumes no liability for any damages that may occur during transport.





D3P

KEZ20 KANAT ÜNİTESİ ŞAFT BAĞLANTI GRUBU



D3	KE720 BLADE UNIT SHAFT LINK GROUP
----	-----------------------------------

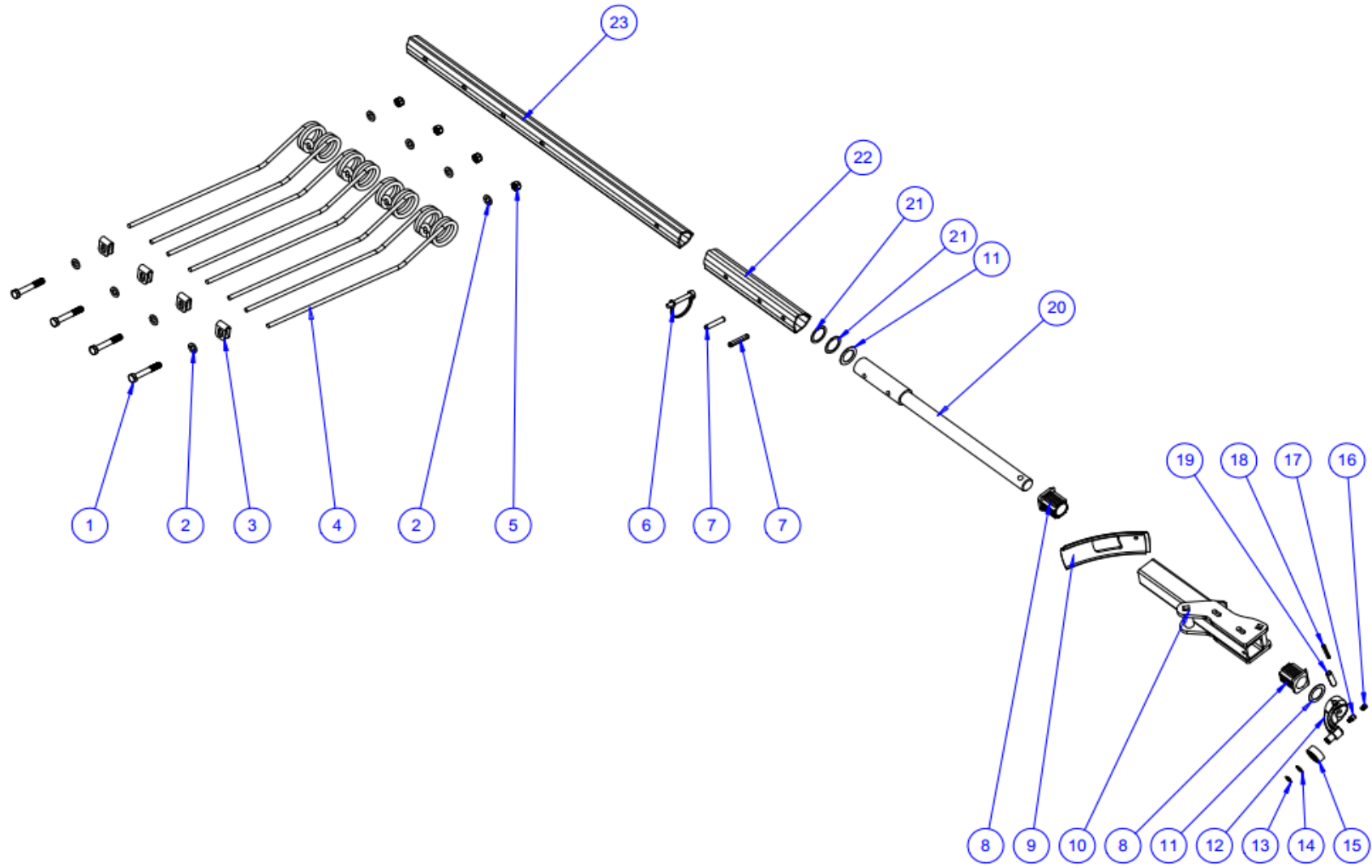
Part No	Stock No (Stok No)	Item's name	Item's name	Adet Quantity
1	711101000012	Welded Wing Sliding Profile Component	Kanat Kayar Profili Kaynaklı Aksamı	2
2	711101000053	Propeller Joint Outlet SET	Kardan Mafsalı Çıkış TAKIM	2
3	711101000054			
4	71110204000001	Rulman_2306_2RS	Rulman_2306_2RS	2
5	71100802000046	DIN_472 72x2,5 Internal Circlip	DIN_472 72x2,5 İç Segman	2
6	711101000056	Unidirectional Bearing	Tek Yönlü Rulman	2
7	711101000055	Universal Joint Input	Kardan Mafsalı Giriş	2
8	71020200001015	Wing Sphero Cast Part	Kanat Sfero Döküm Parça	2

VAT Excluded

Kayhan Ertugrul Makina reserves the right to change prices of the product at any time without prior notice.

Delivery Term: EXW Burdur

Our company assumes no liability for any damages that may occur during transport.



EİP

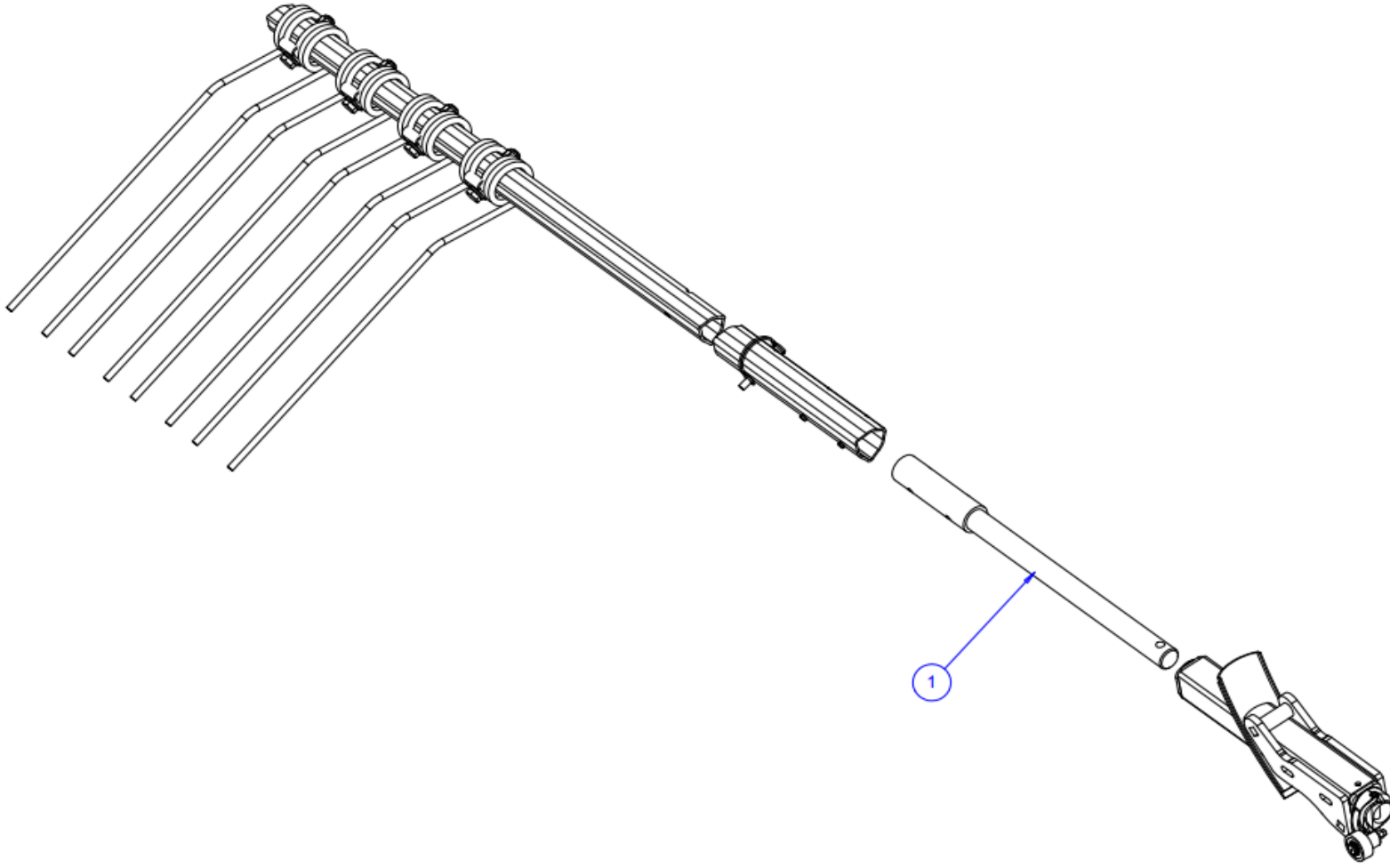
KE720 SAĞ TIRMIK GRUBU



E1	KE720 RIGHT RAKE GROUP
----	------------------------

Part No	Stock No (Stok No)	Item's name	Item's name	Adet Quantity
1	71100117012080	DIN_931 M12X80 Half Pass Bolt	DIN_931 M12X80 Yarım Paso Cıvata	88
2	71100501000007	DIN_125 M12 Flat Washer	DIN_125 M12 Düz Rondela	176
3	71012072000156	Steel	Sac	88
4	71200200000075	Scarifier Spring	Tırmık Yay	88
5	71100208000007	DIN_985 M12 Fibre Nut	DIN_985 M12 Fiberli Somun	88
6	71200300000036	Spring Pin	Yaylı Pim	22
7	71100902010050	DIN_7344 Ø10X55MM Helical Pin	DIN_7344 Ø10X55MM Sarmal Pim	44
8	71260406000014	Plastic Profile Inner Bearing	Plastik Profil İç Yatak	44
9	71260406000012	Plastic Rotor Cover	Plastik Rotor Kapağı	22
10	711101000059	Arm Converter Welded Assembly	Kol Çevirici Kaynaklı Aksam	22
11	71101001000093	Ø48 X Ø32,5 X 1,5MM Ready Raynel Sheet	Ø48 X Ø32,5 X 1,5MM Hazır Raynel Sacı	22
12	71030101137201	Cast Casserole	Döküm Güveç Muylusu	22
13	71100801000012	DIN_471 15 x 1 External Circlip	DIN_471 15 x 1 Dış Segman	22
14	71012072000155	Steel	Sac	22
15	71110201000021	Casserole Bearing LR5202	Güveç Rulmanı LR5202	22
16	711101000057	Ø4 5/16" Nipple	Ø4 5/16" Nipel	2
17	711101000058	1/4" 5/16" Flat Record	1/4" 5/16" Düz Rekor	2
18	71100901000103	DIN 1481 7X50 Spring Pin	DIN 1481 7X50 Yarıklı Pim	22
19	71100901000144	DIN 1481 12X50 Spring Pin	DIN 1481 12X50 Yarıklı Pim	22
20	71030101377202	Right Rotor Harrow Shaft	Sağ Rotor Tırmık Mili	11
21	71101001000084	Ø35 X Ø45 X 1MM Ready Raynel Sheet	Ø35 X Ø45 X 1MM Hazır Raynel Sacı	44
22	71190101000062	Shaft Large Harrow Pipe	Şaft Küçük Tırmık Borusu	22
23	71190101000063	Shaft Small Harrow Pipe	Şaft Büyük Tırmık Borusu	22

VAT Excluded  
Kayhan Ertugrul Makina reserves the right to change prices of the product at any time without prior notice.  
Delivery Term: EXW Burdur  
Our company assumes no liability for any damages that may occur during transport.



E1P

KET20 SOL TIRMIK GRUBU

KAYHAN ERTUGRUL  
MATEK

DİĞER BİLEŞENLER E1P SAYFASINDA VERİLEN SAĞ TIRMIK GRUBU İLE AYNIYDUR.

E2	KE720 LEFT RAKE GROUP
----	-----------------------

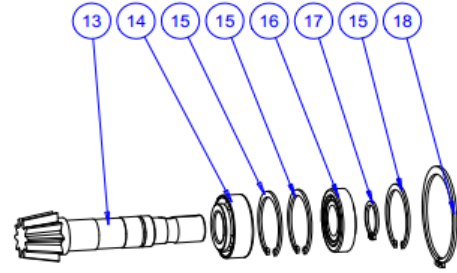
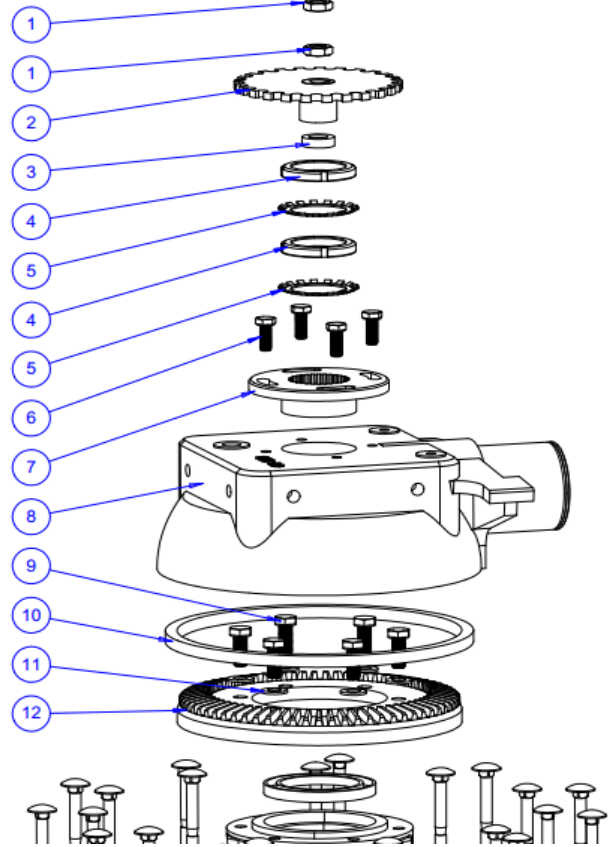
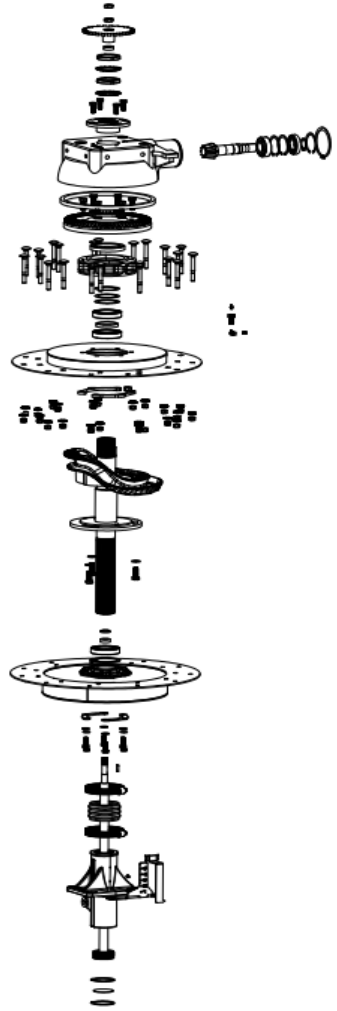
Part No	Stock No (Stok No)	Item's name	Item's name	Adet Quantity
1	71030101377202	Left Rotor Harrow Shaft	Sol Rotor Tırmık Mili	11

VAT Excluded

Kayhan Ertugrul Makina reserves the right to change prices of the product at any time without prior notice.

Delivery Term: EXW Burdur

Our company assumes no liability for any damages that may occur during transport.



FIP

KE720 SAĞ ROTOR ÜST KISIM



F1	KE720 RIGHT ROTOR UPPER SECTION
----	---------------------------------

Part No	Stock No (Stok No)	Item's name	Item's name	Adet Quantity
1	71100210000013	DIN_936 M18x1,5 Counter Thin Nut	DIN_936 M18x1,5 Kontra İnce Somun	4
2	711101000013	Weld-on Rotor Elevation Adjustment Large Gear	Kaynaklı Rotor Yükselik Ayar Büyük Dişlisi	2
3	711101000060	Load Bearing	Yük Rulmanı	4
4	71101401000012	KM12_M60X2 Safety Nut	KM12_M60X2 Emniyet Somunu	4
5	71101402000012	MB12_Lock safety Sheets	MB12_Kilit emniyet sacı	4
6	71100101012030	DIN_933 M12X30 Full Pass Bolt	DIN_933 M12X30 Tam Paso Civata	8
7	71030101337201	Milling Hub	Frezeli Göbek	2
8	71020200001014	Rotor Gearcase Cover Sphero Casting	Rotor Şanzıman Kapağı Sfero Dökümü	2
9	71100101014035	DIN_933 M14X35 Full Pass Bolt	DIN_933 M14X35 Tam Paso Civata	18
10	71120101000114	Felt	Keçe	2
11	71100501000008	DIN_125 M14 Flat Washer	DIN_125 M14 Düz Rondela	18
12	71180401000004	Rotor Tapered Gear Set	Rotor Konik Dişli Takım	2
13		Pinion Bevel	Pinyon Konik Dişli Takım	2
14	71110208000014	Bearing Snr_33207-A	Rulman Snr_33207-A	2
15	71100802000046	DIN_472 72x2,5 Internal Circlip	DIN_472 72x2,5 İç Segman	6
16	71110201000005	Bearing Snr_30207-A	Rulman Snr_30207-A	2
17	71100801000070	DIN_471 35x2,5 External Circlip	DIN_471 35x2,5 Dış Segman	2
18	71100801000050	DIN_471 100x3 External Circlip	DIN_471 100x3 Dış Segman	

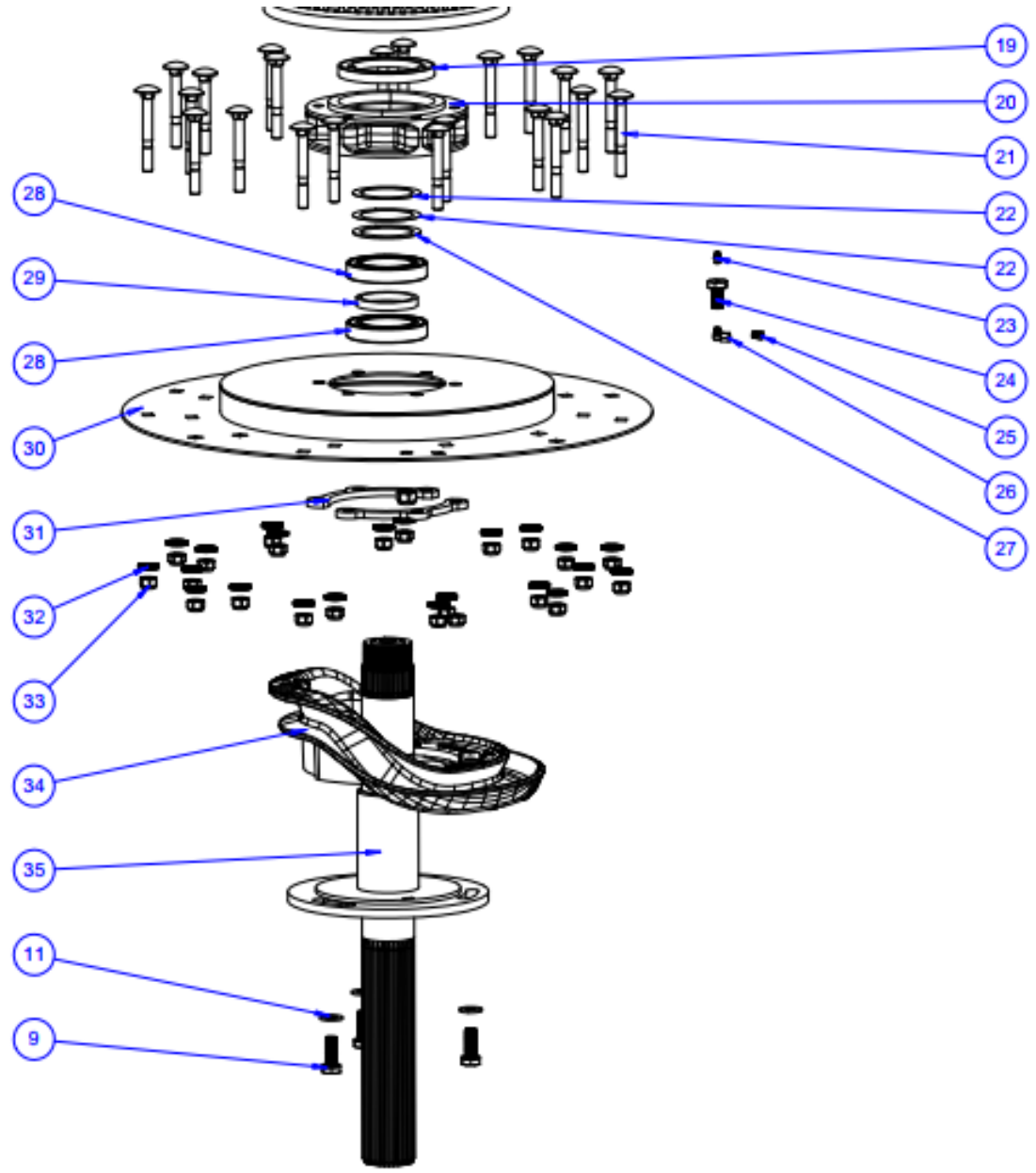
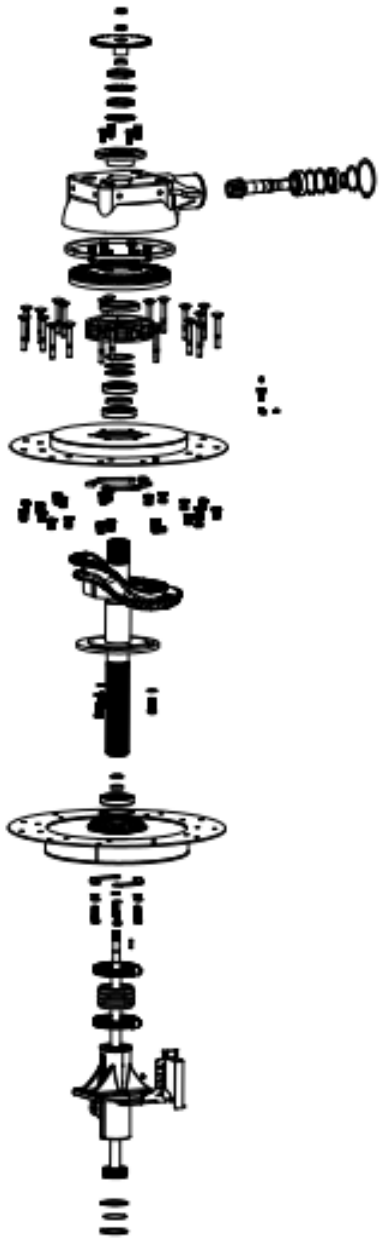
VAT Excluded

Kayhan Ertugrul Makina reserves the right to change prices of the product at any time without prior notice.

Delivery Term: EXW Burdur

Our company assumes no liability for any damages that may occur during transport.





F2P

KE720 SAĞ ROTOR ORTA KISIM



F2	KE720 RIGHT ROTOR MIDDLE PART
----	-------------------------------

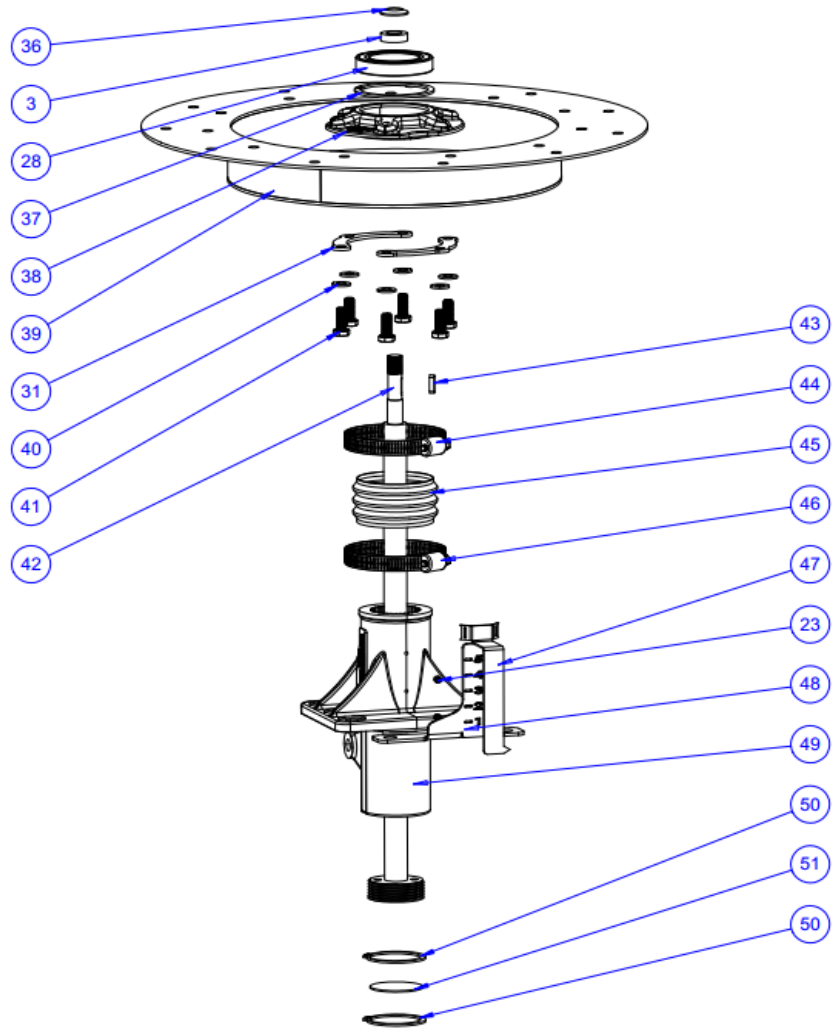
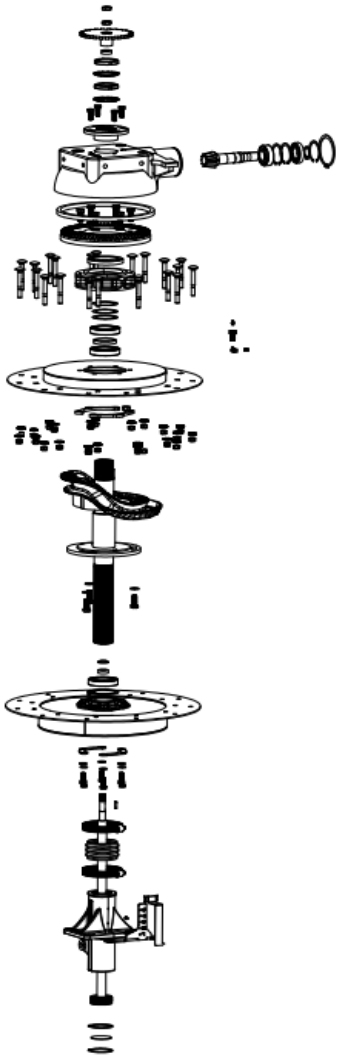
Part No	Stock No (Stok No)	Item's name	Item's name	Adet Quantity
19	71120101000115	Felt	Keçe	2
20	71020200001016	Rotor Upper Sphero Cast Bearing	Rotor Üst Sfero Döküm Yatak	2
21	71100115012080	DIN_603 M12X100 Square Neck Bolt	DIN_603 M12X100 Kare Boyunlu Civata	44
22	71101001000128	Ø65xØ85x1.0 mm Ready Railnel Sheet	Ø65xØ85x1,0 mm Hazır Raynel Sac	4
23	71101101000001	DIN_71412_H1W1.4_28 Grease fitting	DIN_71412_H1W1.4_28 Gresörlük	6
24	711101000061	M14x35 Head Hole Bolt	M14x35 Kafası Delikli Civata	2
25	711101000062	1/4" 5/16" Nipple	1/4" 5/16" Nipel	2
26	711101000063	1/4" 5/16" 90-Degree Nipple	1/4" 5/16" 90 Derece Nipel	2
27	71012072000135	Steel	Sac	2
28	71110604000042	Bearing 6013_2RS	Rulman 6013_2RS	6
29	71012072000107	Steel	Sac	2
30	711101000014	Welded Right Rotor Arms Top Closing Sheet	Kaynaklı Sağ Rotor Kolları Üst Kapatma Sacı	1
31	71012072000089	Steel	Sac	8
32	71100508000007	NL12Nord-LockLock Washer	NL12Nord-Lock Kilit Pulu	44
33	71100208000007	DIN_985 M12 Fibre Nut	DIN_985 M12 Fiberli Somun	46
34	71020200001019	Casserole Sphero Casting	Güveç Sfero Dökümü	2
35	711101000015	Welded Milling Pipe	Kaynaklı Frezeli Boru	2

VAT Excluded

Kayhan Ertugrul Makina reserves the right to change prices of the product at any time without prior notice.

Delivery Term: EXW Burdur

Our company assumes no liability for any damages that may occur during transport.



F3P

KETZ20 SAĞ ROTOR ALT KISIM

KAYHAN ERTUGRUL  
MARMARA

F3	KE720 RIGHT ROTOR LOWER PART
----	------------------------------

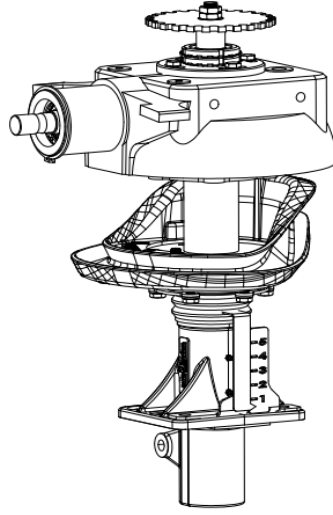
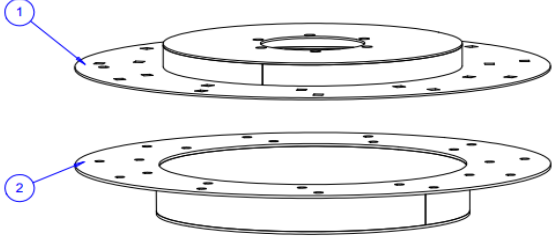
Part No	Stock No (Stok No)	Item's name	Item's name	Adet Quantity
36	71030101127201	Centering Washer	Merkezleme Pulu	2
37	71100802000052	DIN_472 100x3 Internal Circlip	DIN_472 100x3 İç Segman	2
38	71020200001017	Rotor Lower Sphero Casting Bearing	Rotor Alt Sfero Döküm Yatak	2
39	711101000016	Welded Right Rotor Arms Lower Closing Sheet	Kaynaklı Sağ Rotor Kolları Alt Kapatma Sacı	1
40	71100501000007	DIN_125 M12 Flat Washer	DIN_125 M12 Düz Rondela	12
41	71100101012030	DIN_933 M12X30 Full Pass Bolt	DIN_933 M12X30 Tam Paso Civata	12
42	711101000017	Welded Jack Shaft	Kaynaklı Kriko Mili	2
43	71100601000025	DIN 6885_A 6x6x25MM Wedge	DIN 6885_A 6x6x25MM Kama	2
44	71101302000008	Clamp Small	Kelepçe Küçük	2
45	71260406000016	Plastic Bellows	Plastik Körük	2
46	71101302000011	4Clamp Large	Kelepçe Büyük	2
47	71012072000157	Steel	Sac	2
48	71012072000158	Steel	Sac	2
49	71020200001018	Sfero Casting Jack Bearing	Sfero Döküm Kriko Yatağı	2
50	71100801000043	DIN_471 70x2,5 External Circlip	DIN_471 70x2,5 Dış Segman	4
51	71012072000141	Steel	Sac	

VAT Excluded

Kayhan Ertugrul Makina reserves the right to change prices of the product at any time without prior notice.

Delivery Term: EXW Burdur

Our company assumes no liability for any damages that may occur during transport.



DİĞER PARÇALAR SAĞ ROTORLA AYNIDIR. F1P,F2P,F3P SAYFALARINA BAKINIZ.

F4P

KEZ20 SOL ROTOR GRUBU

KAYHAN ERTUĞRUL  
MİMARLIK

F4	KE520 SPLINE COUPLED TRANSMISSION GROUP
----	---

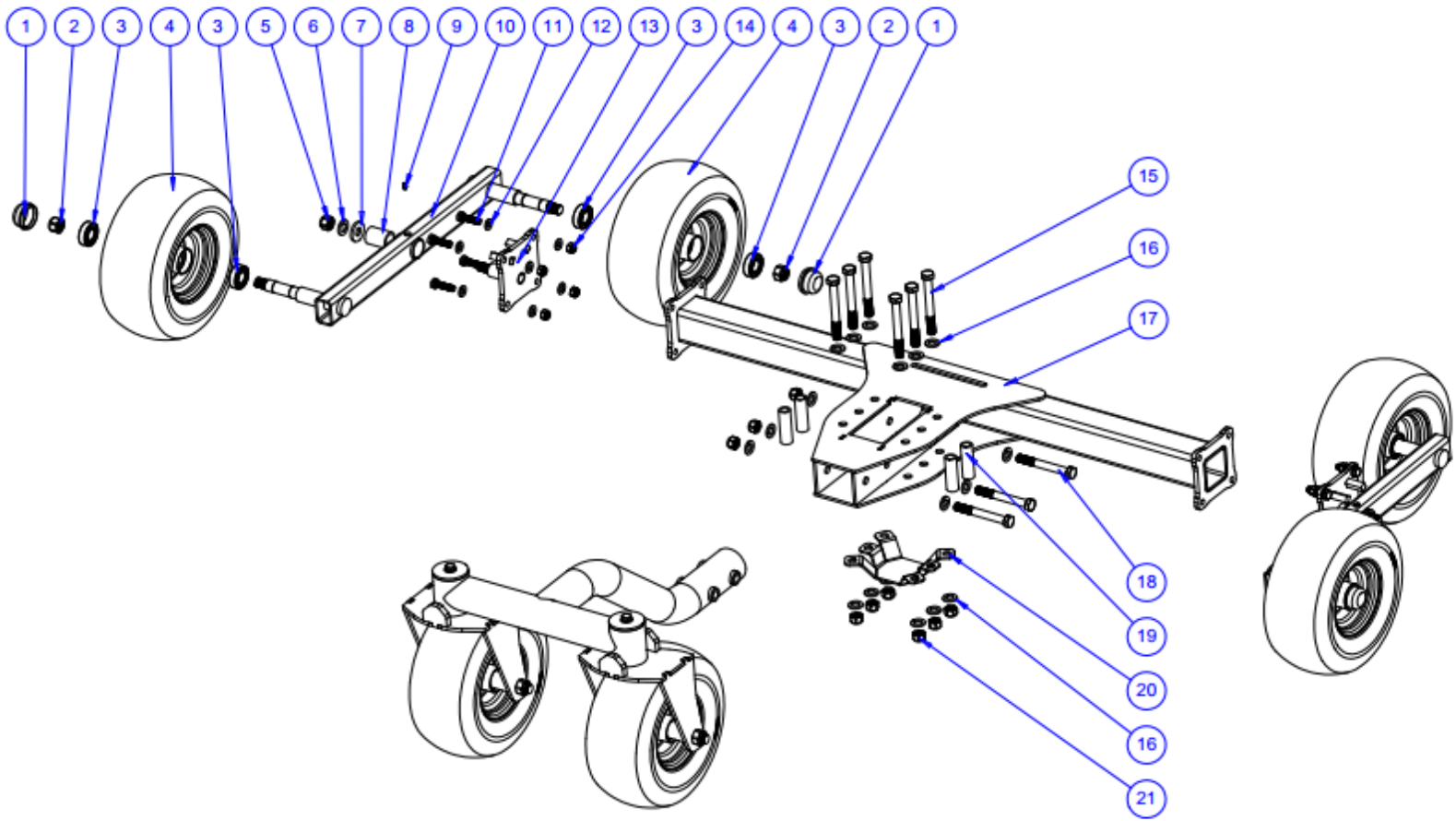
Part No	Stock No (Stok No)	Item's name	Item's name	Adet Quantity
1	711101000018	Welded Left Rotor Arms Top Closing Sheet	Kaynaklı Sol Rotor Kolları Üst Kapatma Sacı	1
2	711101000019	Welded Left Rotor Arms Lower Closing Sheet	Kaynaklı Sol Rotor Kolları Alt Kapatma Sacı	1

VAT Excluded

Kayhan Ertugrul Makina reserves the right to change prices of the product at any time without prior notice.

Delivery Term: EXW Burdur

Our company assumes no liability for any damages that may occur during transport.



G1P

KE720 ROTOR DINGLI YAN TEKER GRUBU



G1	KE720 ROTOR AXLE SIDE WHEEL GROUP
----	-----------------------------------

Part No	Stock No (Stok No)	Item's name	Item's name	Adet Quantity
1	711101000064	Wheel Cover	Teker Kapađı	8
2	7110020800011	DIN_985 M20 Fibre Nut	DIN_985 M20 Fiberli Somun	12
3	71110605000022	Bearing 6205_2RS	Rulman 6205_2RS	24
4	71140102000032	Rotor Wheel	Rotor Tekerı	12
5	71100208000010	DIN_985 M18 Fibre Nut	DIN_985 M18 Fiberli Somun	4
6	71100501000010	DIN_125 M18 Flat Washer	DIN_125 M18 Düz Rondela	4
7	71012072000159	Steel	Sac	2
8	71060401000084	Rotor Axle Side Wheel Yellow Bushing	Rotor Dingili Yan Teker Sarı Burcu	4
9	71101101000001	DIN_71412_H1W1.4_28 Grease fitting	DIN_71412_H1W1.4_28 Gresörlük	4
10	711101000020	Rotor Axle Side Wheel Welded Assembly	Rotor Dingili Yan Teker Kaynaklı Aksamı	4
11	71100101012045	DIN_933 M12X45Total Pass Bolt	DIN_933 M12X45Tam Paso Civata	16
12	71100501000007	DIN_125 M12 Flat Washer	DIN_125 M12 Düz Rondela	36
13	711101000021	Welded Side Wheel Bearing Assembly	Kaynaklı Yan Teker Yatakama Aksamı	4
14	71100208000007	DIN_985 M12 Fibre Nut	DIN_985 M12 Fiberli Somun	16
15	71100117016140	DIN_931 M16X140 Half Pass Bolt	DIN_931 M16X140 Yarım Paso Civata	12
16	71100501000009	DIN_125 M16 Flat Washer	DIN_125 M16 Düz Rondela	36
17	711101000022	Rotor Axle Chassis Welded Component	Rotor Dingili Şase Kaynaklı Aksamı	2
18	71100117016130	DIN_931 M16X130 Half Pass Bolt	DIN_931 M16X130 Yarım Paso Civata	6
19	71040101697201	Rotor Axle Chassis Support Pipe	Rotor Dingili Şase Destek Borusu	8
20	71012072000142	Steel	Sac	2
21	71100208000009	DIN_985 M16 Fibre Nut	DIN_985 M16 Fiberli Somun	12

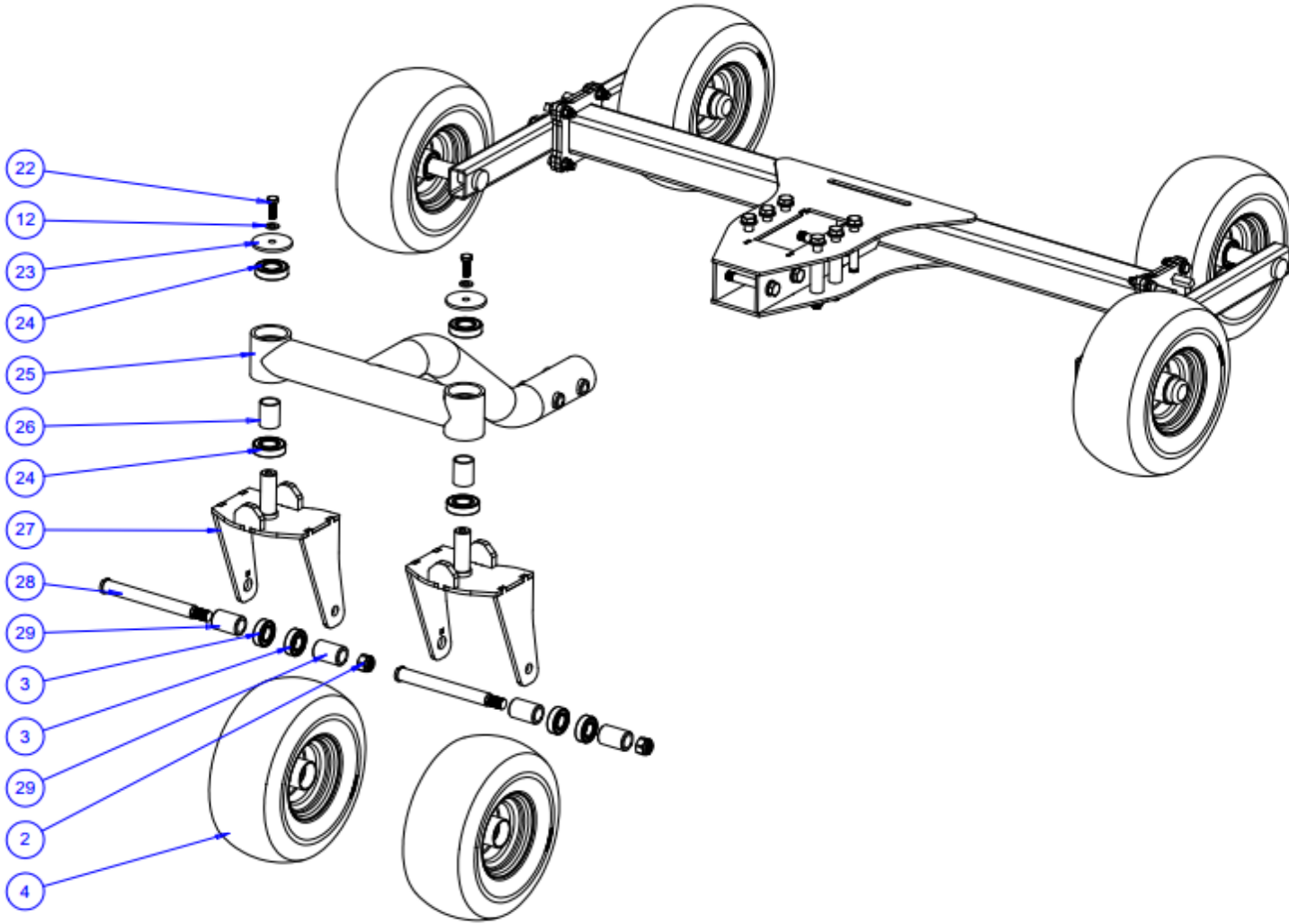
VAT Excluded

Kayhan Ertugrul Makina reserves the right to change prices of the product at any time without prior notice.

Delivery Term: EXW Burdur

Our company assumes no liability for any damages that may occur during transport.





G2P

KEZ20 ROTOR DINGILI ON TEKER GRUBU



<b>G2</b>	<b>KE720 ROTOR AXLE FRONT WHEEL GROUP</b>
-----------	---

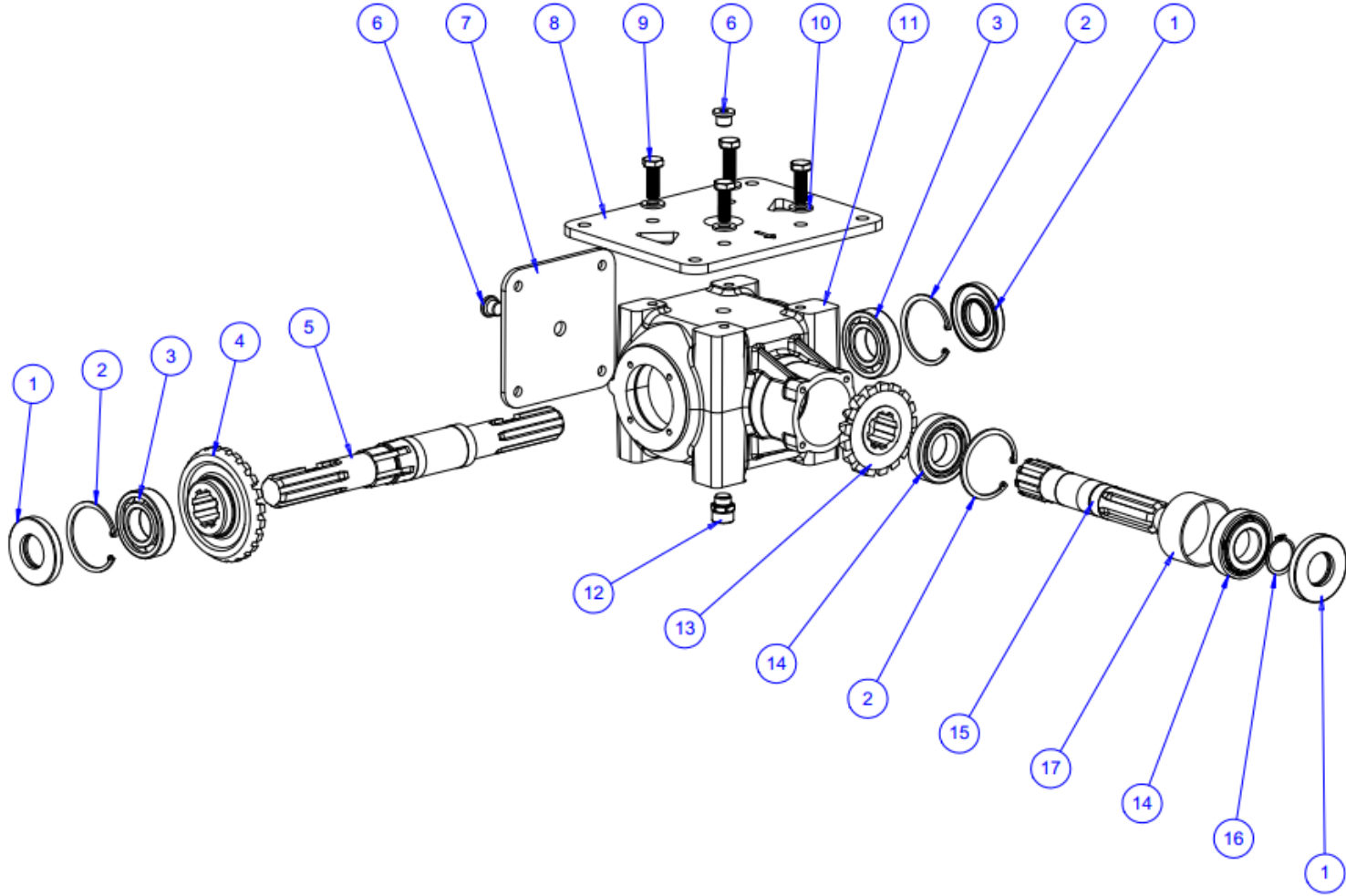
<b>Part No</b>	<b>Stock No (Stok No)</b>	<b>Item's name</b>	<b>Item's name</b>	<b>Adet Quantity</b>
22	71100101012035	DIN_933 M12X35 Full Pass Bolt	DIN_933 M12X35 Tam Paso Civata	4
23	71012072000165	Steel	Sac	4
24	71110605000026	Bearing 6206_2RS	Rulman 6206_2RS	8
25	711101000023	Rotor Axle Front Wheel Group Welded Assembly	Rotor Dingili Ön Teker Grubu Kaynaklı Aksam	2
26	71040101207201	Bearing Intermediate Distance Pipe	Rulman Ara Mesafe Borusu	4
27	711101000024	Rotor Axle Front Wheel Bearing Welded Assembly	Rotor Dingili Ön Teker Yataklama Kaynaklı Aksamı	4
28	71030101087202	Rotor Axle Front Wheel Shaft	Rotor Dingili Ön Teker Mili	4
29	71040101217201	Rotor Axle Front Wheel Intermediate Distance Pipe	Rotor Dingili Ön Teker Ara Mesafe Borusu	8

VAT Excluded

Kayhan Ertugrul Makina reserves the right to change prices of the product at any time without prior notice.

Delivery Term: EXW Burdur

Our company assumes no liability for any damages that may occur during transport.



H1P

KE720 ANA SANZIMAN GRUBU



H1	KE720 MAIN TRANSMISSION GROUP
----	-------------------------------

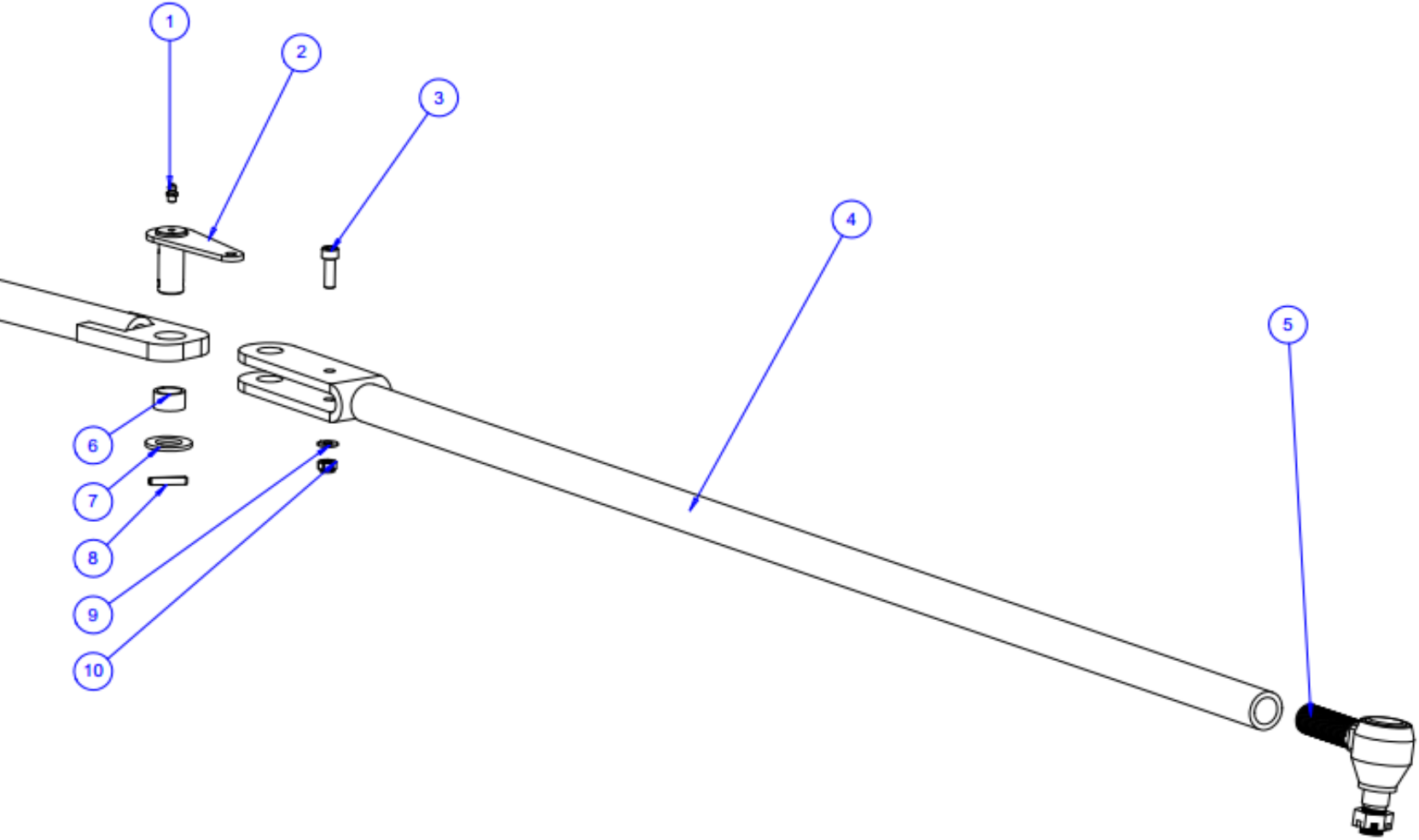
Part No	Stock No (Stok No)	Item's name	Item's name	Adet Quantity
1	71120101000007	Sealing, Main Transmission	Ana Şanzıman Keçesi	3
2	71100802000046	DIN_472 72x2,5 Internal Circlip	DIN_472 72x2,5 İç Segman	3
3	71110605000029	Bearing 6207	Rulman 6207	2
4	71180401000005	Main Transmission Ring Gear Set	Ana Şanzıman Ayna Dişli Takım	1
5	71030101147201	Main Transmission Long-Mill Shaft	Ana Şanzıman Uzun Frezeli Mili	1
6	71260401000289	Blind Plug	Kör Tapa	2
7	71012072000072	Steel	Sac	1
8	71012072000114	Steel	Sac	1
9	71100101012035	DIN_933 M12X35 Full Pass Bolt	DIN_933 M12X35 Tam Paso Civata	4
10	71100501000007	DIN_125 M12 Flat Washer	DIN_125 M12 Düz Rondela	4
11	71020200001013	Main Transmission Sphero Casting	Ana Şanzıman Sfero Döküm	1
12	71260401000023	Vent Plug	Havalandırma Tapası	1
13	71180401000005	Main Transmission Pinion	Ana Şanzıman Pinyon Dişli Takım	1
14	71110201000005	Bearing 30207-A	Rulman 30207-A	2
15	71030101127205	Main Transmission Short-Mill Shaft	Ana Şanzıman Kısa Frezeli Mili	1
16	71100801000028	DIN_471 35x1,5 External Circlip	DIN_471 35x1,5 Dış Segman	1
17	71040101647202	Main Transmission Inlet Bearing Intermediate Distance Pip	Ana Şanzıman Giriş Rulman Ara Mesafe Borusu	1

VAT Excluded

Kayhan Ertugrul Makina reserves the right to change prices of the product at any time without prior notice.

Delivery Term: EXW Burdur

Our company assumes no liability for any damages that may occur during transport.



JIP

KET20 YÖNLENDİRME GRUBU ÖN KISIM



J1	KE720 STEERING GROUP FRONT
----	----------------------------

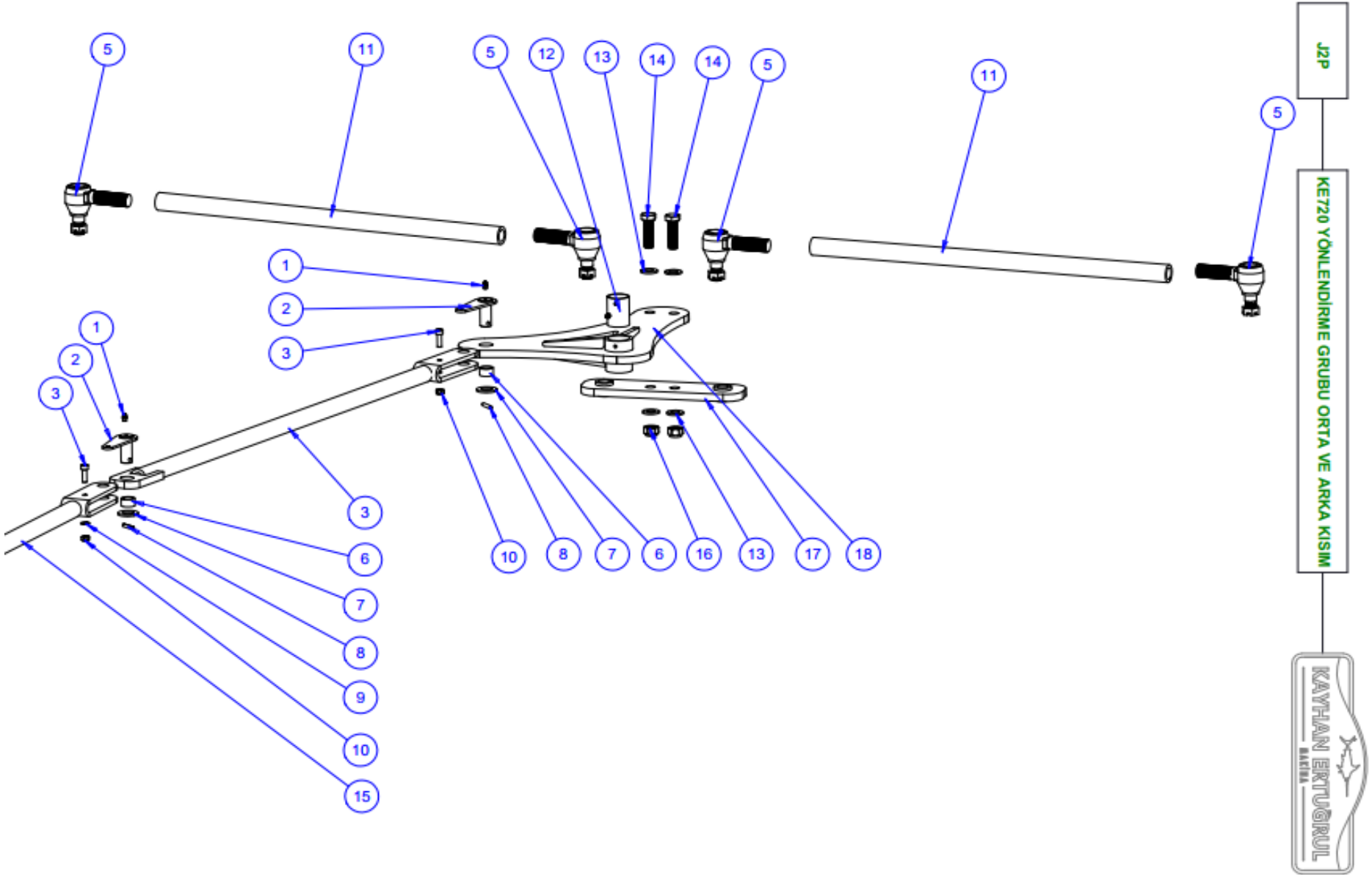
Part No	Stock No (Stok No)	Item's name	Item's name	Adet Quantity
1	71101101000001	DIN_71412_H1W1.4_28 Grease fitting	DIN_71412_H1W1.4_28 Gresörlük	4
2	711101000025	Orientation Unit Welded Connection Shaft	Yönlendirme Ünitesi Kaynaklı Bağlantı Mili	3
3	71100106008025	DIN_912 M8x25 Imperial Head Bolt	DIN_912 M8x25 İmbus Başlı Cıvata	3
4	711101000026	Orientation Front Arm Welded Assembly	Yönlendirme Ön Kol Kaynaklı Aksam	1
5	71260401000712	Rod End Right Gear	Rot Başı Sağ Diş	1
6	71060401000030	Yellow Bushing Orientation Unit	Sarı Burc Yönlendirme Ünitesi	3
7	71100501000011	DIN_125 M20 Flat Washer	DIN_125 M20 Düz Rondela	3
8	71100901000098	DIN 1481 6X30 Spring Pin	DIN 1481 6X30 Yarıklı Pim	3
9	71100501000005	DIN_125 M8 Flat Washer	DIN_125 M8 Düz Rondela	3
10	71100208000005	DIN_985 M8 Fibre Nut	DIN_985 M8 Fiberli Somun	3

VAT Excluded

Kayhan Ertugrul Makina reserves the right to change prices of the product at any time without prior notice.

Delivery Term: EXW Burdur

Our company assumes no liability for any damages that may occur during transport.



J2	KE720 STEERING GROUP MIDDLE AND REAR
----	--------------------------------------

Part No	Stock No (Stok No)	Item's name	Item's name	Adet Quantity
11	71040101087204	Rear Wheel Steering Pipe	Arka Teker Yönlendirme Borusu	2
12	71060401000032	Home Router Component Yellow Bushing	Ana Yönlendirici Aksam Sarı Burcu	1
13	71100501000009	DIN_125 M16 Flat Washer	DIN_125 M16 Düz Rondela	4
14	71100101016060	DIN_933 M16X60 Full Pass Bolt	DIN_933 M16X60 Tam Paso Civata	2
15	711101000027	Orientation Middle Arm Welded Assembly	Yönlendirme Orta Kol Kaynaklı Aksam	1
16	71100208000009	DIN_985 M16 Fibre Nut	DIN_985 M16 Fiberli Somun	2
17	711101000028	Wheel Router Welded Assembly	Teker Yönlendirici Kaynaklı Aksam	1
18	711101000029	Home Router Welded Assembly	Ana Yönlendirici Kaynaklı Aksam	1

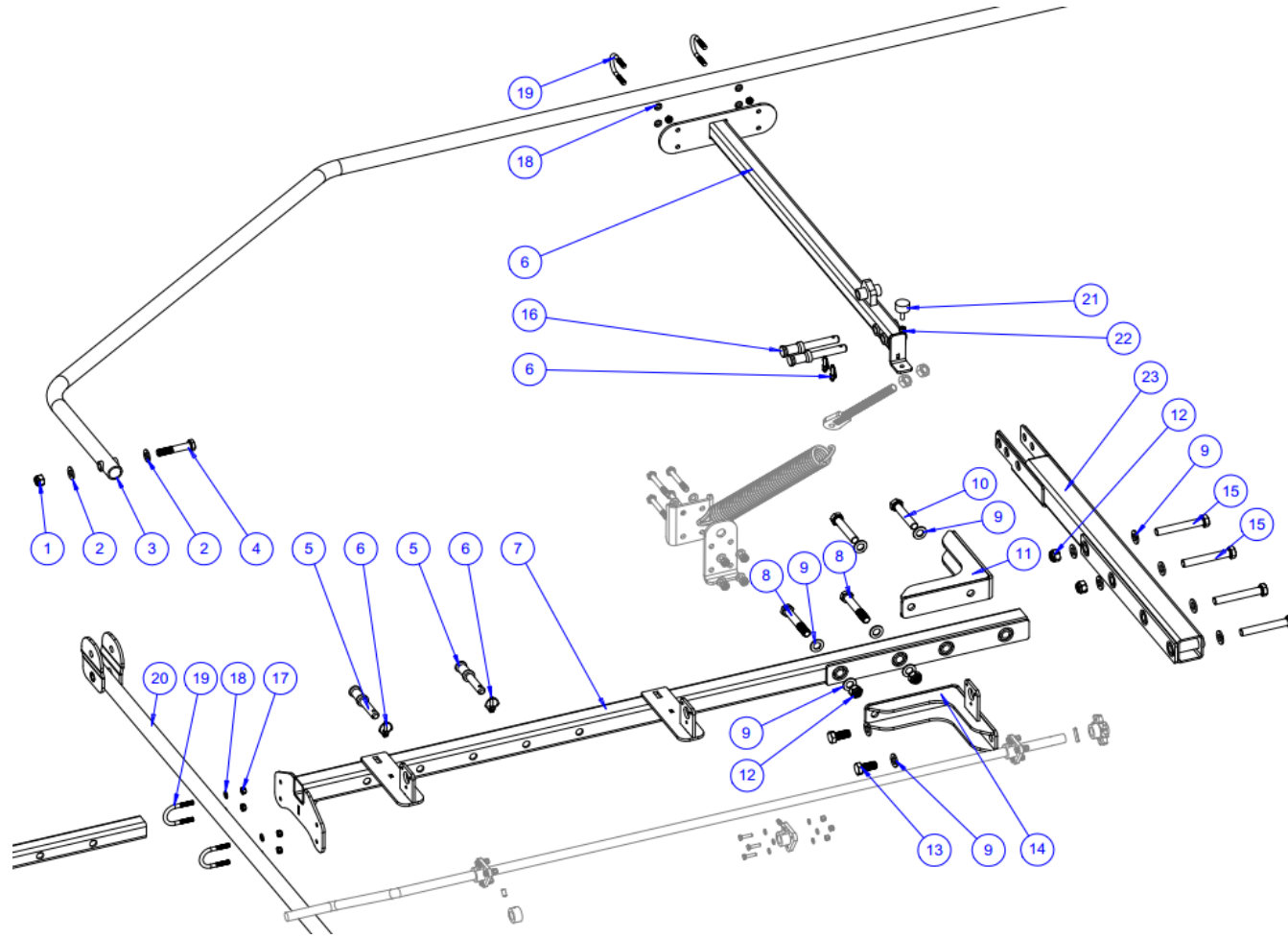
VAT Excluded

Kayhan Ertugrul Makina reserves the right to change prices of the product at any time without prior notice.

Delivery Term: EXW Burdur

Our company assumes no liability for any damages that may occur during transport.





KIP

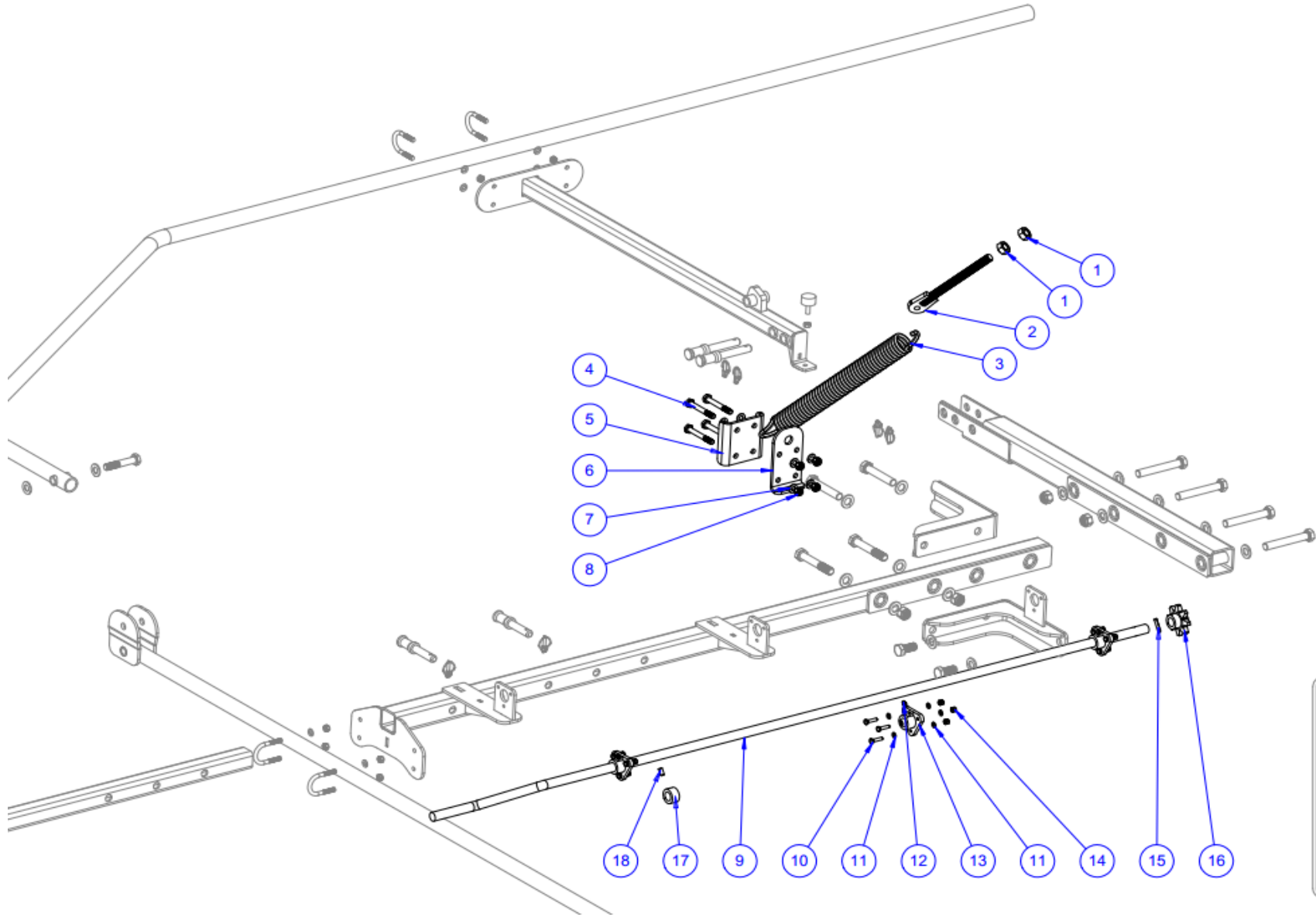
KET70 SAĞ TARAF KORKUKLUK ANA ŞASE GRUBU



K1	KE720 RIGHT SIDE GUARDRAIL MAIN FRAME GROUP
----	---

Part No	Stock No (Stok No)	Item's name	Item's name	Adet Quantity
1	71100208000008	DIN_985 M14 Fibre Nut	DIN_985 M14 Fiberli Somun	2
2	71100501000008	DIN_125 M14 Flat Washer	DIN_125 M14 Düz Rondela	4
3	711101000030	Welded Long Guardrail Iron	Kaynaklı Uzun Korkuluk Demiri	2
4	71100117014070	DIN_931 M14X70 Half Pass Bolt	DIN_931 M14X70 Yarım Paso Civata	2
5	71030101057203	Option Front Wheel Assembly Fixing Shaft	Opsiyon Ön Teker Aksamı Sabitleme Mili	4
6	71200300000021	Ø6MM Spring Pin	Ø6MM Yaylı Pim	8
7	711101000031	Welded Right Handrail Assembly 1	Kaynaklı Sağ Korkuluk Aksamı 1	1
8	71100117016100	DIN_931 M16X100 Half Pass Bolt	DIN_931 M16X100 Yarım Paso Civata	4
9	71100501000009	DIN_125 M16 Flat Washer	DIN_125 M16 Düz Rondela	24
10	71100101016090	DIN_933 M16X90 Full Pass Bolt	DIN_933 M16X90 Tam Paso Civata	4
11	711101000032	Welded Right Rotor Connection Assembly 1	Kaynaklı Sağ Rotor Bağlantı Aksamı 1	1
12	71100208000009	DIN_985 M16 Fibre Nut	DIN_985 M16 Fiberli Somun	8
13	71100101016035	DIN_933 M16X35 Full Pass Bolt	DIN_933 M16X35 Tam Paso Civata	4
14	711101000033	Welded Right Rotor Connection Assembly 2	Kaynaklı Sağ Rotor Bağlantı Aksamı 2	1
15	71100117016110	DIN_933 M16X110 Full Pass Bolt	DIN_933 M16X110 Tam Paso Civata	8
16	71030101057204	Railing Fixing and Adjusting Shaft	Korkuluk Sabitleme ve Ayar Mili	4
17	71100208000005	DIN_985 M8 Fibre Nut	DIN_985 M8 Fiberli Somun	16
18	71100501000005	DIN_125 M8 Flat Washer	DIN_125 M8 Düz Rondela	16
19	71260406000015	M8 U Bolt	M8 U Bolt	8
20	711101000034	Welded Short Guardrail Iron	Kaynaklı Kısa Korkuluk Demiri	2
21	71260401000230	Round Plastic Skid	Yuvarlak Plastik Takoz	2
22	71100201000006	DIN_934 M8 Flat Nut	DIN_934 M8 Düz Somun	2
23	711101000042	Welded Right Handrail Assembly 2	Kaynaklı Sağ Korkuluk Aksamı 2	1

VAT Excluded  
Kayhan Ertugrul Makina reserves the right to change prices of the product at any time without prior notice.  
Delivery Term: EXW Burdur  
Our company assumes no liability for any damages that may occur during transport.



K2P

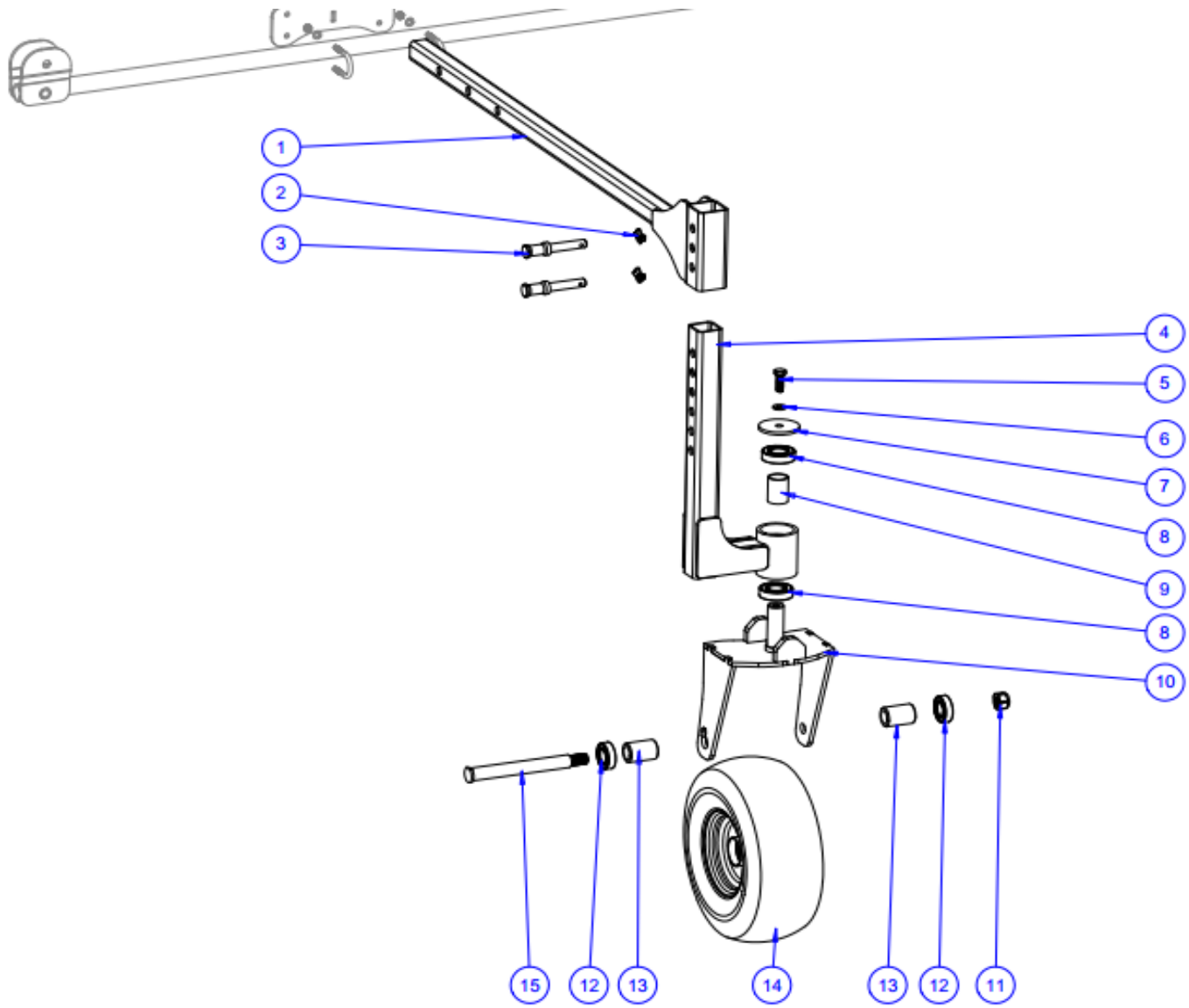
KEZ20 ROTOR YÜKSEKLİK AYAR MİLİ GRUBU



K2	KE720 ROTOR HEIGHT ADJUSTING SHAFT GROUP
----	--

Part No	Stock No (Stok No)	Item's name	Item's name	Adet Quantity
1	71100201000010	DIN_934 M16 Flat Nut	DIN_934 M16 Düz Somun	4
2	711101000035	Welded Spring Tensioner Gijonu	Kaynaklı Yay Gergi Gijonu	2
3	71200600000012	Expand	Yay	2
4	71100117010080	DIN_931 M10X80 Half Pass Bolt	DIN_931 M10X80 Yarım Paso Civata	8
5	71012072000075	Steel	Sac	2
6	71012072000076	Steel	Sac	2
7	71100501000006	DIN_125 M10 Flat Washer	DIN_125 M10 Düz Rondela	16
8	71100208000006	DIN_985 M10 Fibre Nut	DIN_985 M10 Fiberli Somun	8
9	71030102127203	Rotor Amplifier Adjusting Shaft	Rotor Yükseltici Ayar Mili	2
10	71100101006025	DIN_933 M6X25 Full Pass Bolt	DIN_933 M6X25 Tam Paso Civata	18
11	71100501000004	DIN_125 M6 Flat Washer	DIN_125 M6 Düz Rondela	36
12	71101101000001	DIN_71412_H1W1.4_28 Grease fitting	DIN_71412_H1W1.4_28 Gresörlük	6
13	71020700000002	Triangular Bearing	Üçgen Yatak	6
14	71100208000004	DIN_985 M6 Fibre Nut	DIN_985 M6 Fiberli Somun	18
15	71100901000098	DIN 1481 6X30 Spring Pin	DIN 1481 6X30 Yarıklı Pim	2
16	711101000036	Weld-on Rotor Elevation Adjustment Small Gear	Kaynaklı Rotor Yükselik Ayar Küçük Dişlisi	2
17	71040101167204	Fixing Tube	Sabitleme Borusu	2
18	71100116008025	DIN_916 M8X25 Setskur Bolt	DIN_916 M8X25 Setskur Civata	2

VAT Excluded      The unit prices specified do not include VAT.      Birim Fiyatlara KDV Dahil Değildir.  
 Kayhan Ertugrul Makir Kayhan Ertuğrul Makina reserves the right to change the pı Kayhan Ertuğrul Makina Haber Vermeksizin Fiyatları Değiştirme Hakkı  
 Delivery Term: EXW E Delivery Place Our Company (Burdur).      Teslim Yeri Firmamız (Burdur).  
 Our company assume: Our Company is not responsible for any damages that may Nakliye Sırasında Meydana Gelecek Hasarlardan Firmamız Sorumlu



KZP

KET20 OPSİYON DESTEK TEKERİ GRUBU

KAZHANI ERTUGRUL  
MATEL

K3

## KE720 OPTION SUPPORT WHEEL GROUP

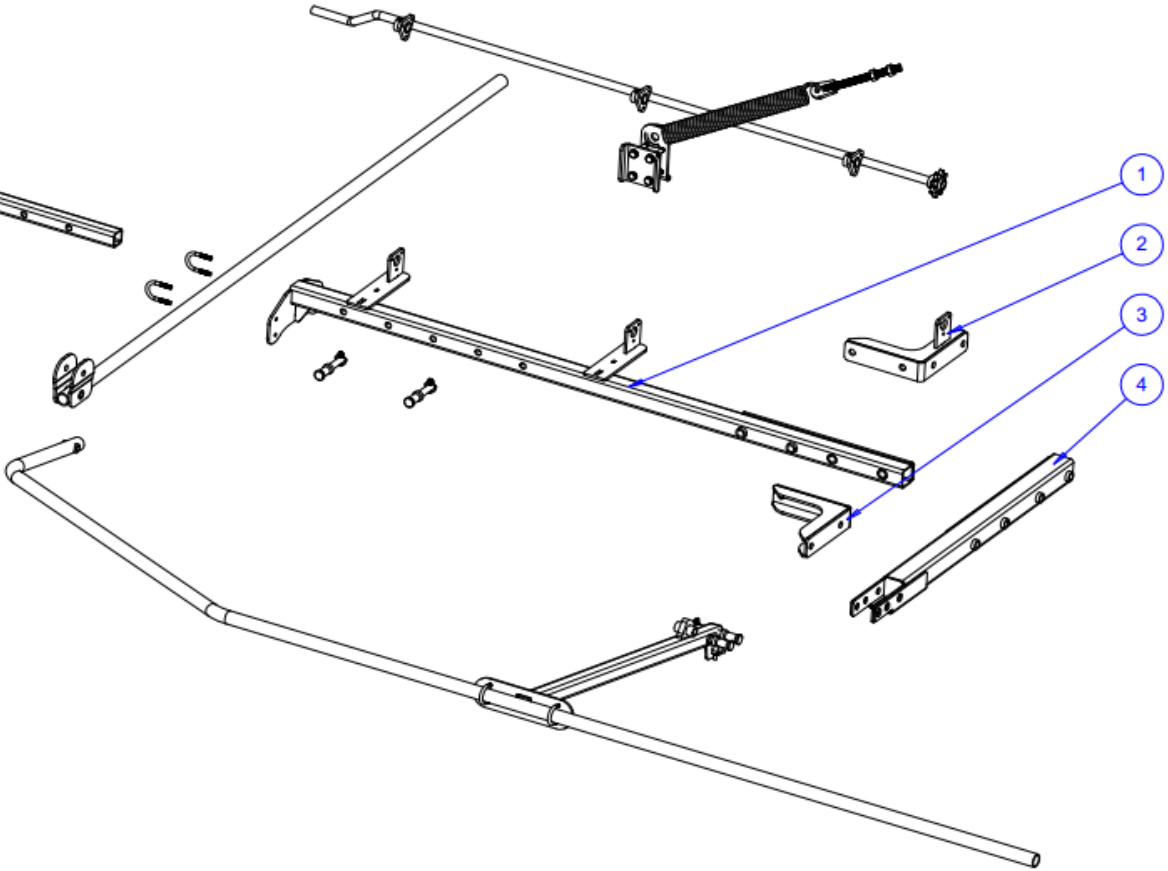
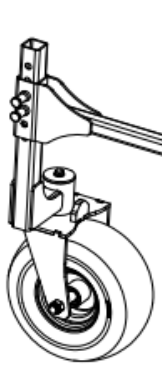
Part No	Stock No (Stok No)	Item's name	Item's name	Adet Quantity
1	711101000037	Welded Front Support Wheel Assembly 1	Kaynaklı Ön Destek Teker Aksamı 1	2
2	71200300000021	Ø6MM Spring Pin	Ø6MM Yaylı Pim	4
3	71030101057205	Front Support Wheel Fixing Adjusting Shaft	Ön Destek Teker Sabitleme Ayar Mili	4
4	711101000038	Welded Front Support Wheel Assembly 2	Kaynaklı Ön Destek Teker Aksamı 2	2
5	71100101012035	DIN_933 M12X35 Full Pass Bolt	DIN_933 M12X35 Tam Paso Civata	2
6	71100501000007	DIN_125 M12 Flat Washer	DIN_125 M12 Düz Rondela	2
7	71012072000165	Steel	Sac	1
8	71110605000026	Bearing 6206_2RS	Rulman 6206_2RS	4
9	71040101207201	Bearing Intermediate Distance Pipe	Rulman Ara Mesafe Borusu	2
10	711101000024	Rotor Axle Front Wheel Bearing Welded Assembly	Rotor Dingili Ön Teker Yataklama Kaynaklı Aksamı	4
11	71100208000011	DIN_985 M20 Fibre Nut	DIN_985 M20 Fiberli Somun	2
12	71110605000022	Bearing 6205_2RS	Rulman 6205_2RS	4
13	71040101217201	Rotor Axle Front Wheel Intermediate Distance Pipe	Rotor Dingili Ön Teker Ara Mesafe Borusu	4
14	71140102000032	Rotor Wheel	Rotor Teker	2
15	71030101087202	Rotor Axle Front Wheel Shaft	Rotor Dingili Ön Teker Mili	4

VAT Excluded

Kayhan Ertugrul Makina reserves the right to change prices of the product at any time without prior notice.

Delivery Term: EXW Burdur

Our company assumes no liability for any damages that may occur during transport.



KAP

KET20 SOL TARAF KORKULUK ANA ŞASE GRUBU



K4	KE720 LEFT SIDE GUARDRAIL MAIN CHASSIS GROUP
----	--

Part No	Stock No (Stok No)	Item's name	Item's name	Adet Quantity
1	711101000039	Welded Left Hand Guardrail Assembly 1	Kaynaklı Sol Korkuluk Aksamı 1	1
2	711101000040	Welded Left Rotor Connection Assembly 2	Kaynaklı Sol Rotor Bağlantı Aksamı 2	1
3	711101000041	Welded Left Rotor Connection Assembly 1	Kaynaklı Sol Rotor Bağlantı Aksamı 1	1
4	711101000043	Welded Left Hand Guardrail Assembly 2	Kaynaklı Sol Korkuluk Aksamı 2	1

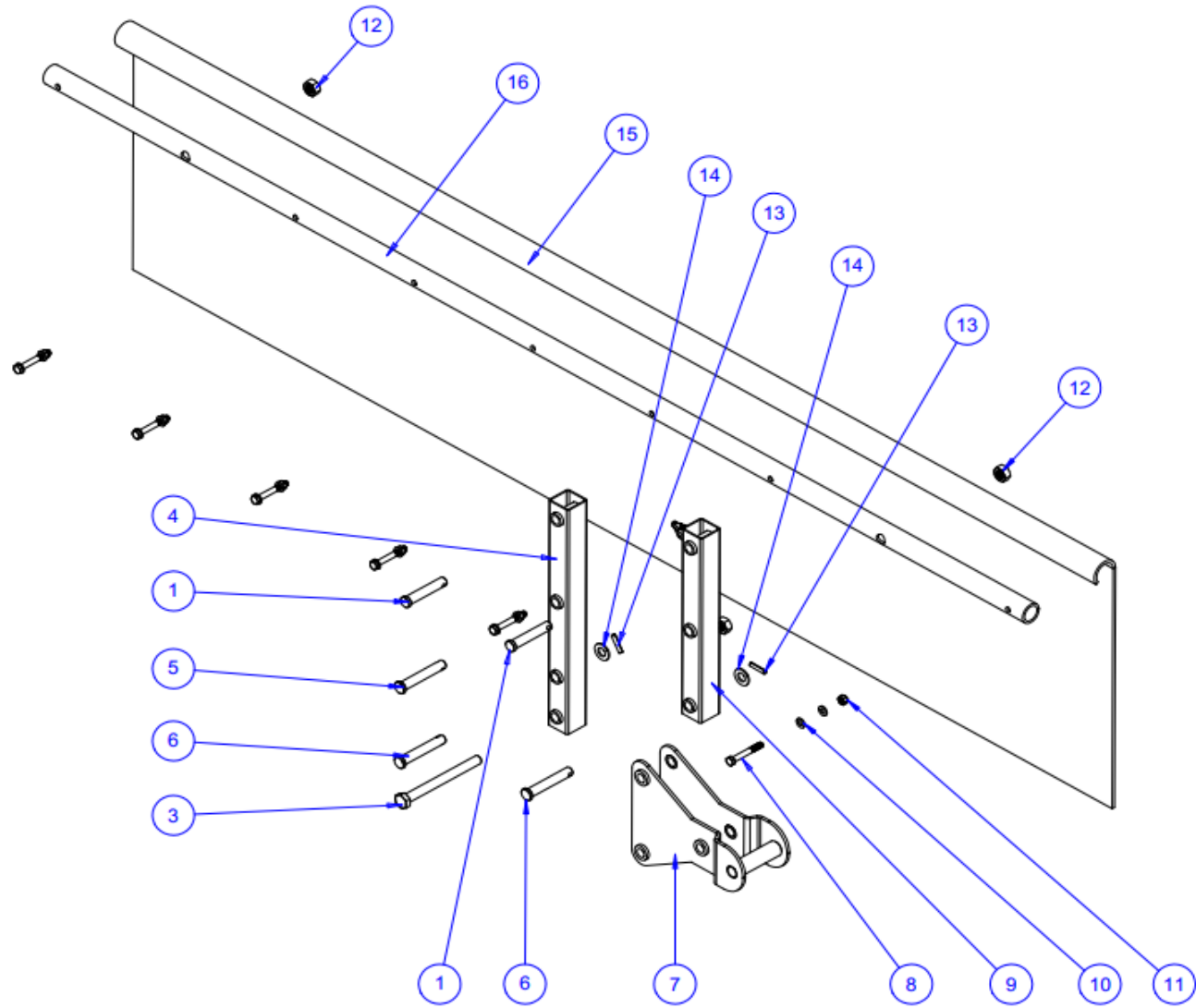
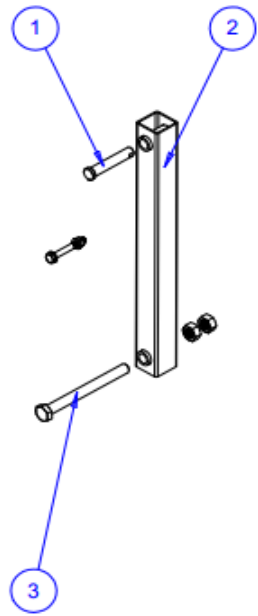
VAT Excluded

Kayhan Ertugrul Makina reserves the right to change prices of the product at any time without prior notice.

Delivery Term: EXW Burdur

Our company assumes no liability for any damages that may occur during transport.





L 1P

KET720 ARA PERDE GRUBU



L1	KE720 INTERMEDIATE CURTAIN GROUP
----	----------------------------------

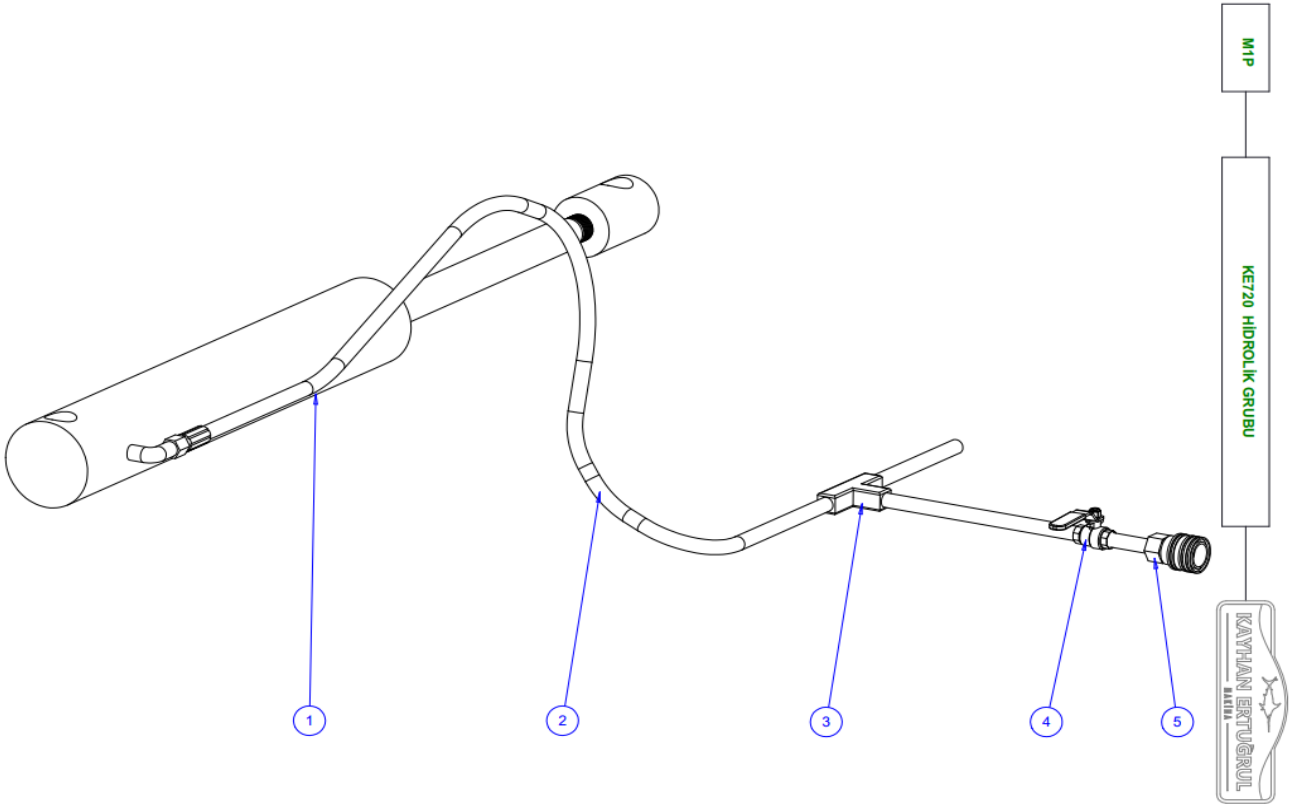
Part No	Stock No (Stok No)	Item's name	Item's name	Adet Quantity
1	71030102117201	Sunshade Bearing Shaft 1	Perde Yataklama Mili 1	3
2	711101000044	Welded Curtain Profile 1	Kaynaklı Perde Profili 1	1
3	71100101014150	DIN_933 M14X150 Full Pass Bolt	DIN_933 M14X150 Tam Paso Civata	2
4	711101000045	Welded Curtain Profile 2	Kaynaklı Perde Profili 2	1
5	71030102127201	Sunshade Bearing Shaft 2	Perde Yataklama Mili 2	1
6	71030102127202	Sunshade Bearing Shaft 3	Perde Yataklama Mili 3	1
7	711101000046	Welded Curtain Router Assembly	Kaynaklı Perde Yönlendirici Aksam	1
8	71100117008060	DIN_931 M8X60 Half Pass Bolt	DIN_931 M8X60 Yarım Paso Civata	7
9	711101000047	Welded Curtain Profile 3	Kaynaklı Perde Profili 3	1
10	71100501000005	DIN_125 M8 Flat Washer	DIN_125 M8 Düz Rondela	14
11	71100208000005	DIN_985 M8 Fibre Nut	DIN_985 M8 Fiberli Somun	7
12	71100201000009	DIN_934 M14 Flat Nut	DIN_934 M14 Düz Somun	6
13	71100901000098	DIN 1481 6X30 Spring Pin	DIN 1481 6X30 Yarıklı Pim	2
14	71100501000008	DIN_125 M14 Flat Washer	DIN_125 M14 Düz Rondela	2
15	711101000065	Pitch	Perde	1
16	71040101157201	Curtain Tube	Perde Borusu	1

VAT Excluded

Kayhan Ertugrul Makina reserves the right to change prices of the product at any time without prior notice.

Delivery Term: EXW Burdur

Our company assumes no liability for any damages that may occur during transport.



M1	KE720 HYDRAULIC EQUIPMENT
----	---------------------------

Part No	Stock No (Stok No)	Description	Item's name	Adet Quantity
1	71160103000013		Wing Hydraulic Pistons	2
2	711101000066	<b>1 X 5/16 R2 510CM 3/8 FLAT 1/2 MALE JACK. 2PCS 5/16 90CM 3/8 STRAIGHT-</b>	DN8 Hydraulic Hose	3
3	711101000067		Hydraulic T-Connection	1
4	711101000068	CANCEL	DN8 Hydraulic Valve	1
5	711101000069		Hydraulic Jack	1

VAT Excluded

Kayhan Ertugrul Makina reserves the right to change prices of the product at any time without prior notice.

Delivery Term: EXW Burdur

Our company assumes no liability for any damages that may occur during transport.

N1	KE720 ELECTRICAL CONNECTIONS
----	------------------------------

Part No	Stock No (Stok No)	Item's name	Item's name	Information	Price List EUR
1	71250703000002	2X1 mm <sup>2</sup> TTR NYM Cable	2X1 mm <sup>2</sup> TTR NYM KABLO	3,5	€ 2,14
2	71250703000010	4X1 mm <sup>2</sup> TTR Nym CABLE *BALL*	4X1 mm <sup>2</sup> TTR NYM KABLO *BALYA*	3	€ 3,57
3	71250703000025	5x1 mm <sup>2</sup> TTR NYM Cable	5x1 mm <sup>2</sup> TTR NYM KABLO	9	€ 12,86
4	71250803000001	UY 3010 1 mm <sup>2</sup> CABLE RACK	UY 3010 1 mm <sup>2</sup> KABLO YÜKSÜGÜ	5	€ 0,14
5	71252101000001	MF 275 TAIL STOP LAMP	MF 275 ARKA STOP LAMBA	1	€ 5,00
6	71252101000005	7 PCS PLASTIC TRAILER PLUG MALE	7Lİ PLASTİK RÖMORK FİŞİ ERKEK	2	€ 5,00
7	71252101000009	BULB 12V 21/5 W 1016- 1176 BULB STRAIGHT NAIL	AMPÜL 12V 21/5 W 1016- 1176 AMPÜL DÜZ TIRNAK	2	€ 0,29
8	71252101000010	BULB 12V 93 SIGNAL BULB STRAIGHT TAB	AMPÜL 12V 93 SİNYAL AMPÜL DÜZ TIRNAK	2	€ 0,29
9	71252101000015	CONNECTOR 4-PIECE MALE	KONNEKTÖR 4LÜ ERKEK	2	€ 0,14
10	71252101000016	CONNECTOR 4-PIECE FEMALE	KONNEKTÖR 4LÜ DIŞI	2	€ 0,14
11	71252101000017	FEMALE NAIL PLUG SF-2D	TIRNAKLI DIŞI FİŞ SF-2D	12	€ 0,11
12	71252101000018	NAIL LONG MALE PLUG SF-1EU1	TIRNAKLI UZUN ERKEK FİŞ SF-1EU1	6	€ 0,11
13	71252101000030	BULB 12V 67 PARK KE320	AMPÜL 12V 67 PARK KE320	2	€ 0,36
14	71252101000031	N.HOLLAND TC56 FRONT POSITION LIGHT KE 320	N.HOLLAND TC56 ÖN PARK LAMBASI KE 320	2	€ 8,57
15	71252101000011	CONNECTOR 2 PCS MALE	KONNEKTÖR 2Lİ ERKEK	2	€ 0,14
16	71252101000012	CONNECTOR 2-PIECE FEMALE	KONNEKTÖR 2Lİ DIŞI	2	€ 0,14

VAT Excluded

Kayhan Ertugrul Makina reserves the right to change prices of the product at any time without prior notice.

Delivery Term: EXW Burdur

Our company assumes no liability for any damages that may occur during transport.